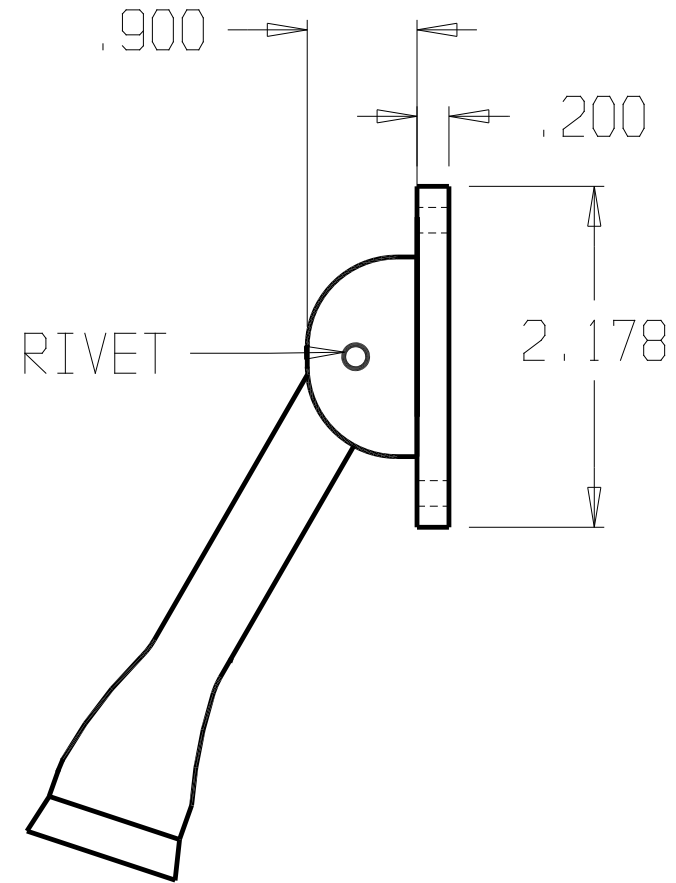
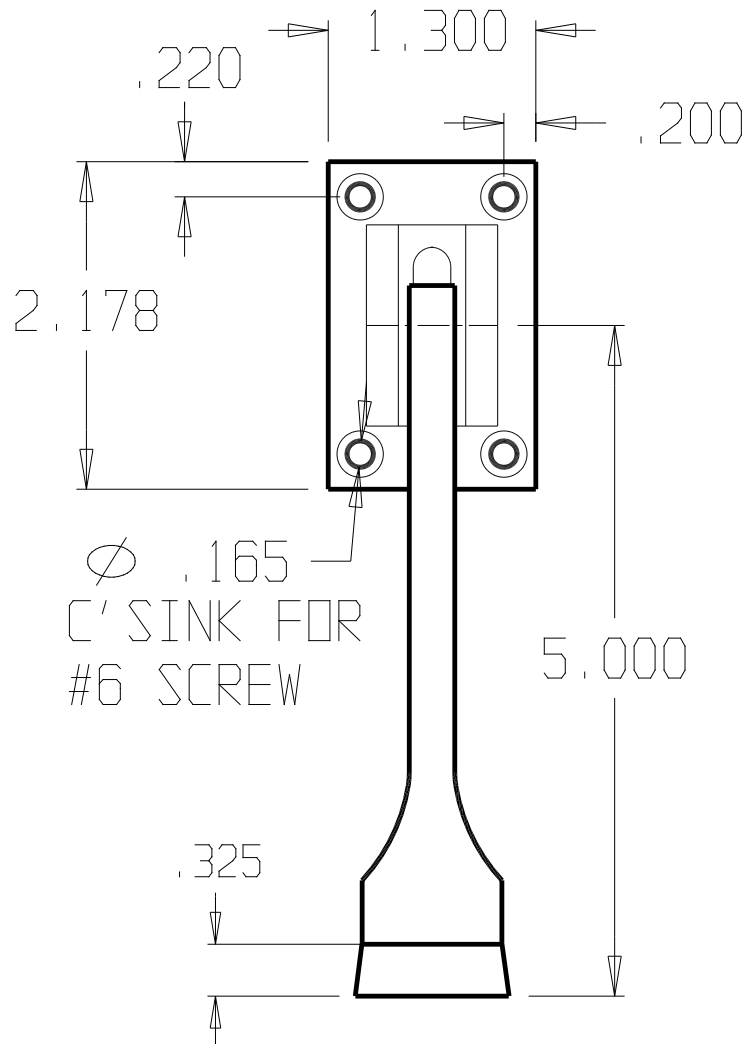


REVISIONS

ZONE	REV	FINISHES:	DATE	APPROVED
		605, 613, 626		



DON-JO MFG. INC.

DESIGNER	
APPROVED	

SIZE	DATE:	PART NO.	REV
A	1/23/20	#1467	
SCALE	RELEASE DATE	WEIGHT	SHEET