

WINDOW BOLTS INSTALLATION INSTRUCTIONS

Items Required: Hand or Electric Drill
5/16" Drill Bit
Tape

Tape drill bit to a depth of 2 5/8" (see below)

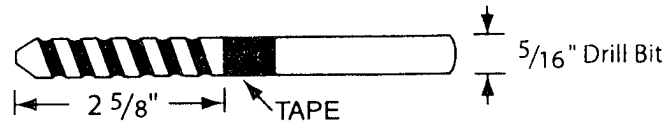
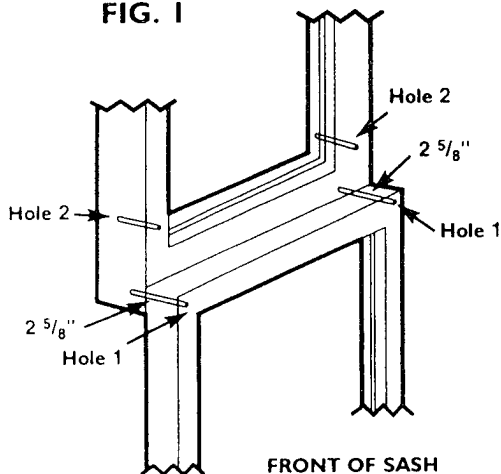


FIG. 1



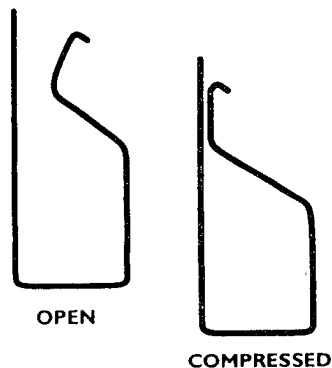
TO INSTALL

1. CLOSE and LOCK window.
2. Drill 2 5/8" holes as indicated by "1".
3. Insert Window Bolt (solid end first) until unit is recessed and flush with sash.
4. Repeat steps 1 thru 3 for opposite side.

FOR VENTILATION

Raise window to desired location and drill holes through existing holes in front sash and penetrate back sash. Holes indicated by "2".

FIG. 2



TO REMOVE WINDOW BOLTS

1. Compress tool as shown in FIG. 2.
2. Insert compressed tool into window bolt and release tool while tool is in the window bolt.
3. Rotate tool until the tool locks into hole.
4. Once the tool is locked into place, the window bolt can then be extracted from the window.