

DWG NO

SH

REV

REVISIONS

ZONE

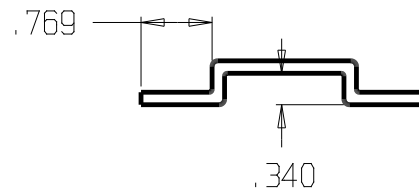
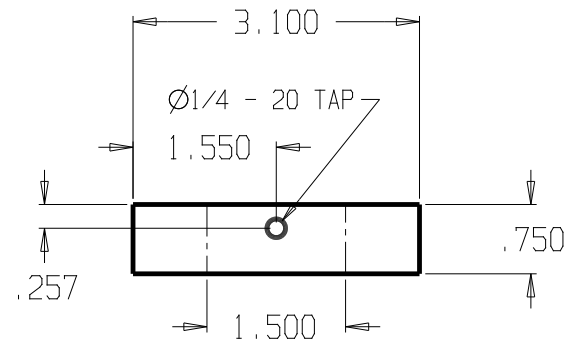
REV

FINISHES:

RAW STEEL

GALUGE:

10 GA .135



DON-JO MFG. INC.

DESIGNER

D.R.

SIZE

A

DATE:

11/3/20

PART NO.

TPR 1

REV

SCALE

RELEASE DATE

WEIGHT

SHEET