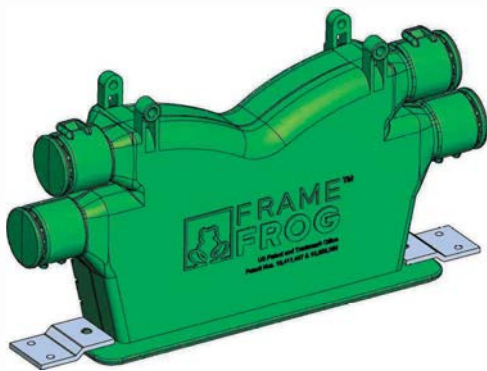


# New Products from

# DON-JO MFG., INC.

## NEW ADDITION TO THE FRAME FROG FAMILY



The original Frame Frog  
**JUST GOT SMALLER.**

The first backbox specifically designed for electrified door hardware in hollow metal door frames.



## KEY FEATURES

The smaller design can be welded to the frame in the fab shop with included Don-Jo mounting tabs. **REDUCING LABOR COSTS.**

The pathways remain accessible even after construction is completed, allowing for **FUTURE WIRING REPAIRS, CHANGES, AND UPGRADES.**



[www.don-jo.com](http://www.don-jo.com) 978-422-3377 Fax 978-422-3467 [sales@don-jo.com](mailto:sales@don-jo.com)

Follow us on LinkedIn

Order online for an extra 3% discount

*The Industry Leader in Architectural Hardware  
and Door Security Products*

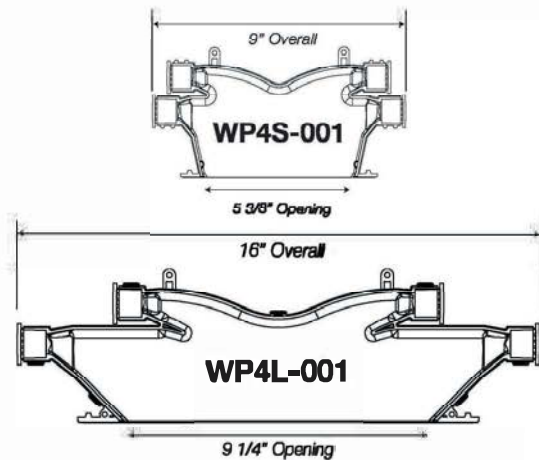
**DON-JO** MFG., INC.

FrameFrog's universal design offers an easy method of installing conduit in door frames for electronic locks, strikes, card readers and other typical devices of a wired access control system.

### SMALLER SIZE

Our new smaller model (WP4S-001) is specifically designed for all hardware preps in a door frame up to 5" long. Model (WP4L-001) is for electric power transfers up to 9" long.

FrameFrog is designed for use with ½" PVC conduit and standard 90° sweeps that fit around the corner of a 2" frame.



WP4S-001  
WP4L-001

### PATHWAY CONFIGURATION

Four connection ports with removable caps provide flexibility for configuring conduit pathways in a variety of arrangements, and funnel shaped ports smoothly steer a fish tape into your desired path.

