

DWG NO

SH

REV

REVISIONS

ZONE

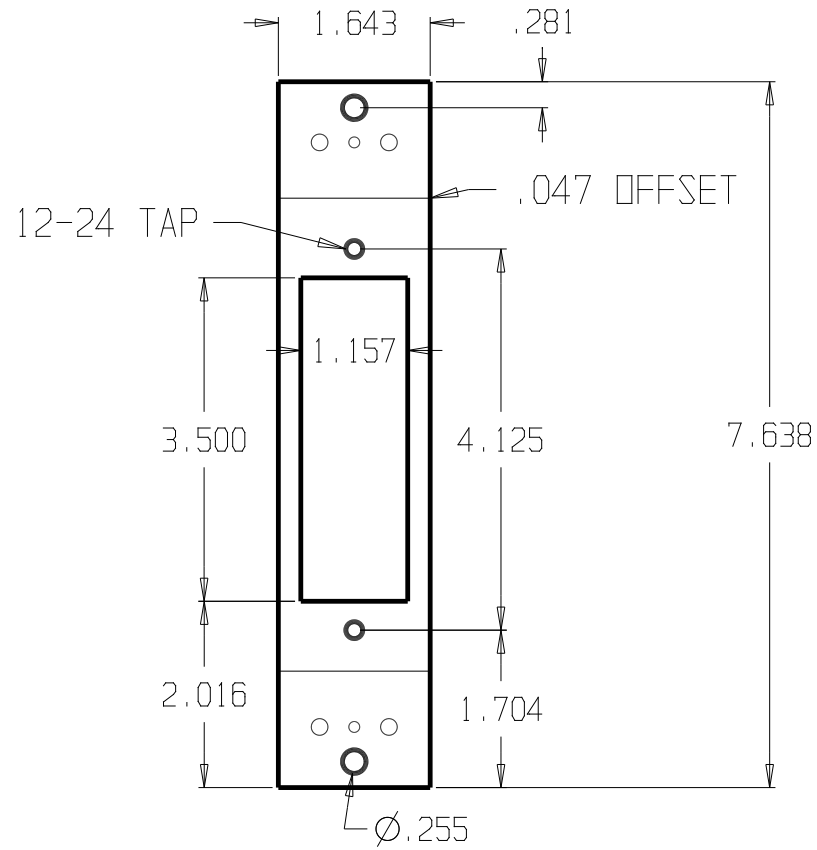
REV

FINISHES:

RAW STEEL

GALIGE:

.079



DON-JO MFG. INC.

DESIGNER

D.R.

SIZE

A

DATE:

7/16/18

PART NO.

SRE-478

REV

SCALE

RELEASE DATE

WEIGHT

SHEET