

PT 10, PT 20 POWER TRANSFER

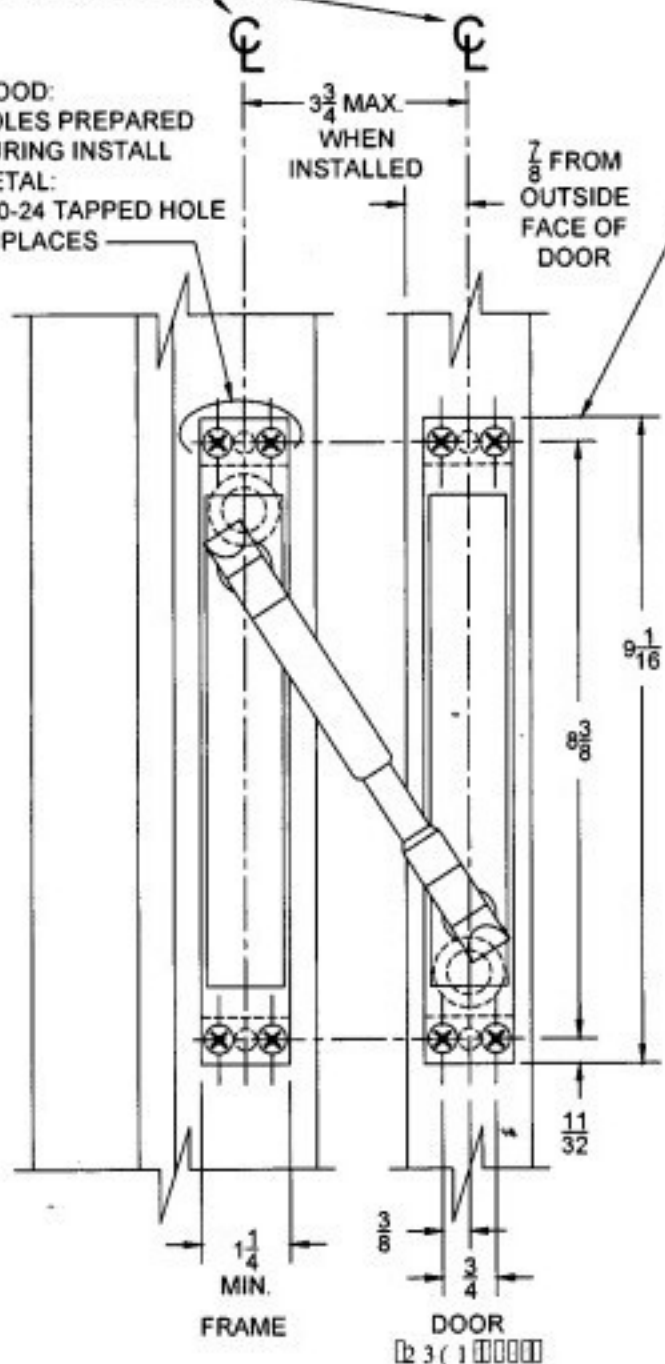
FOR USE WITH:

- DOOR THICKNESS 1-3/4"
- BUTT HINGES UP TO 5" FOR MAX 180 DEG. DOOR SWING
- 5-1/2" BUTT HINGES FOR MAX 130 DEG. DOOR SWING
- 6" BUTT HINGES FOR MAX 110 DEG. DOOR SWING
- 3/4" OFFSET PIVOTS FOR 180 DEG. MAX DOOR SWING



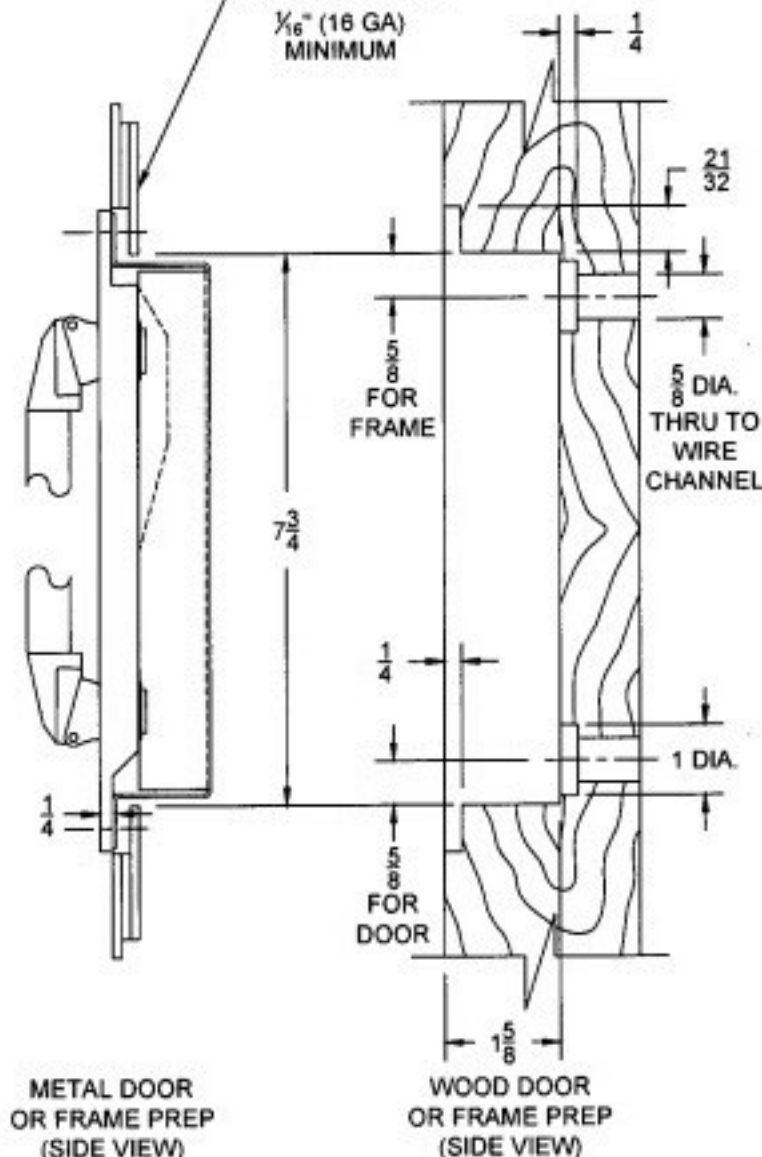
☉ OF PT IN FRAME MUST ALIGN WITH ☉ OF PT IN DOOR

WOOD:
HOLES PREPARED DURING INSTALL
METAL:
#10-24 TAPPED HOLE
12 PLACES



RECOMMENDED 6" BELOW UPPER HINGE ON DOORS UP TO 7'0" HIGH.
LOCATE 24" BELOW UPPER HINGE ON DOORS OVER 7'0" TO 10'0" HIGH.
NOTE: FOR WOOD FIRE DOOR, CONSULT DOOR MANUFACTURE FOR APPROVED LOCATION.

REINFORCEMENT
1/16" (16 GA) MINIMUM



ELECTRICAL RATINGS

PT10	(10) 24 AWG WIRES-MAX. RATING 24VDC, 1A
PT20	(2) 18 AWG WIRES-MAX. RATING 24VDC, 5A OR 120VAC NEC CLASS 3