

DWG NO

SH

REV

REVISIONS

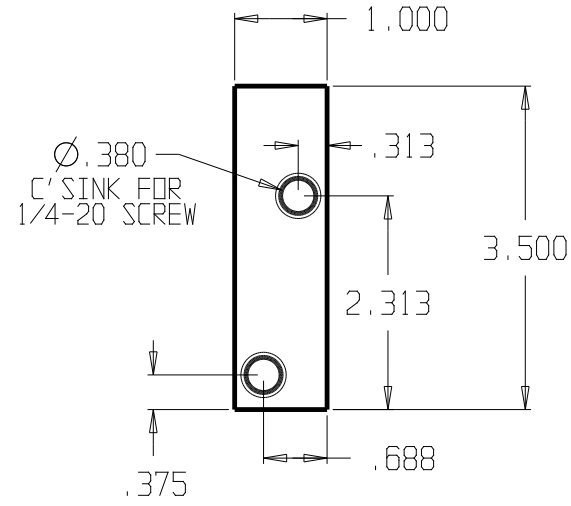
ZONE

REV

FINISHES :

GALIGE :

1/4"



Ø.380
C' SINK FOR
1/4-20 SCREW

DON-JO MFG. INC.

DESIGNER

D.R.

SIZE

A

DATE:

3/31/20

PART NO.

OH-100

REV

SCALE

RELEASE DATE

WEIGHT

SHEET