

DWG NO

SH

REV

REVISIONS

ZONE

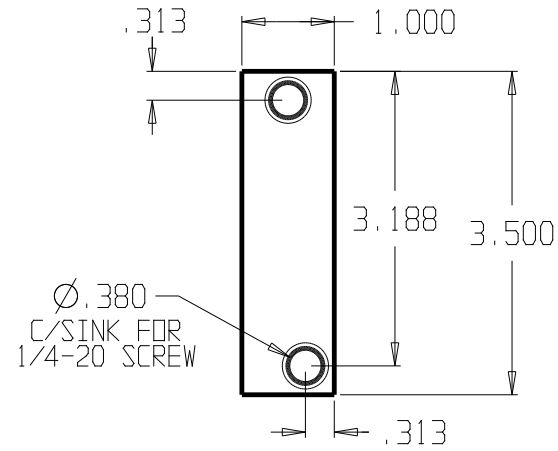
REV

FINISHES:

PC

GALIGE:

.250"



DON-JO MFG. INC.

DESIGNER

D.R.

SIZE

A

DATE:

10/30/20

PART NO.

OH-16

REV

SCALE

RELEASE DATE

WEIGHT

SHEET