

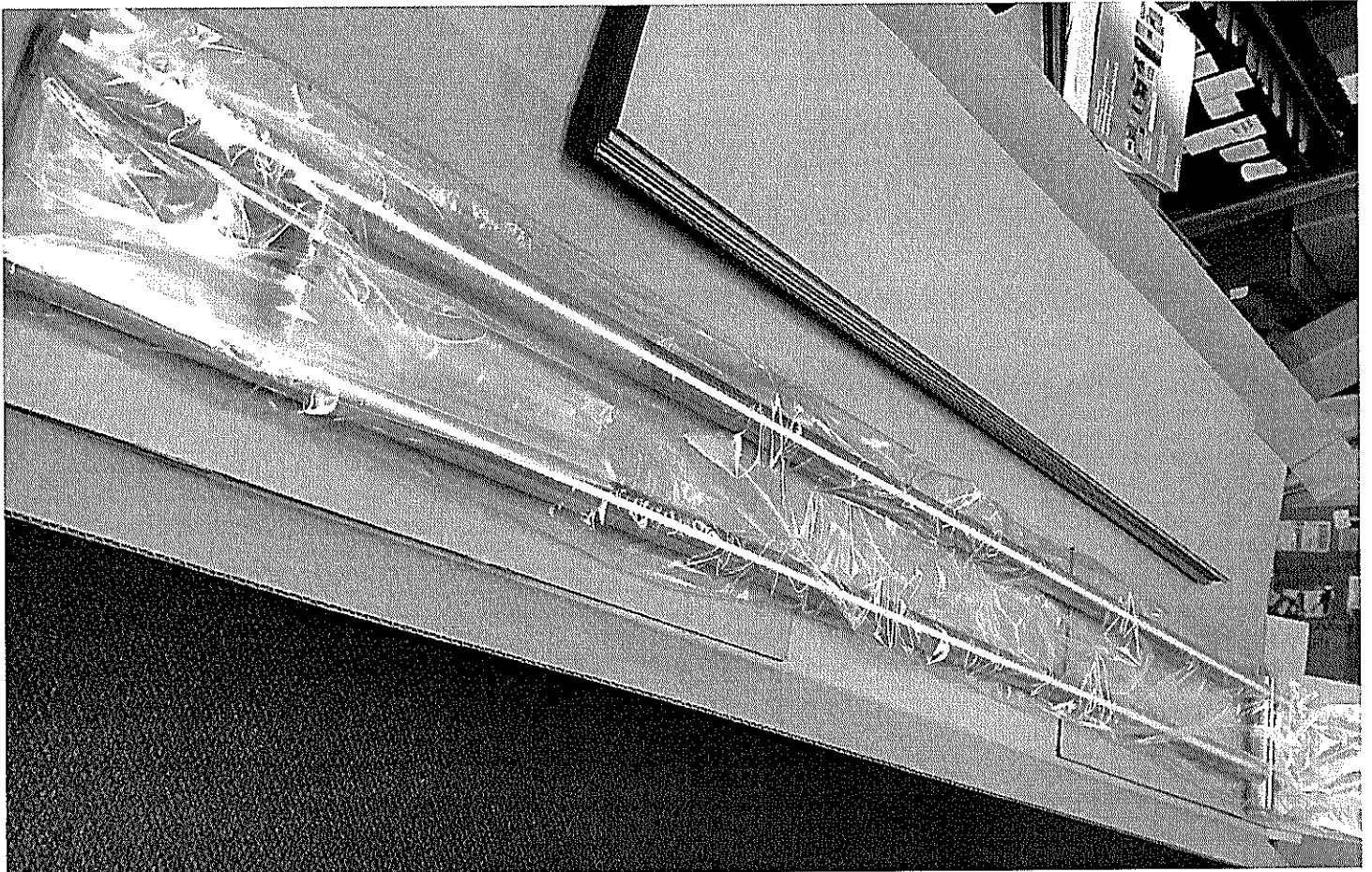
## 1. Packaging

The boxing opens lengthwise. Carefully cut taping and remove the Locking Ladder Pull from the boxing. The maximum number of Pull sets per box is (2). **RETAIN ALL FASTENERS REMOVED FOR INSTALLATION OF LOCKING LADDER PULL ON DOOR PANEL.**

1) Remove a complete Pull set from the boxing and back out set screws at 1" diameter posts and 1 ½" thumbturn post.

2) The interior thumbturn pull and exterior cylinder pull can be separated at this time.

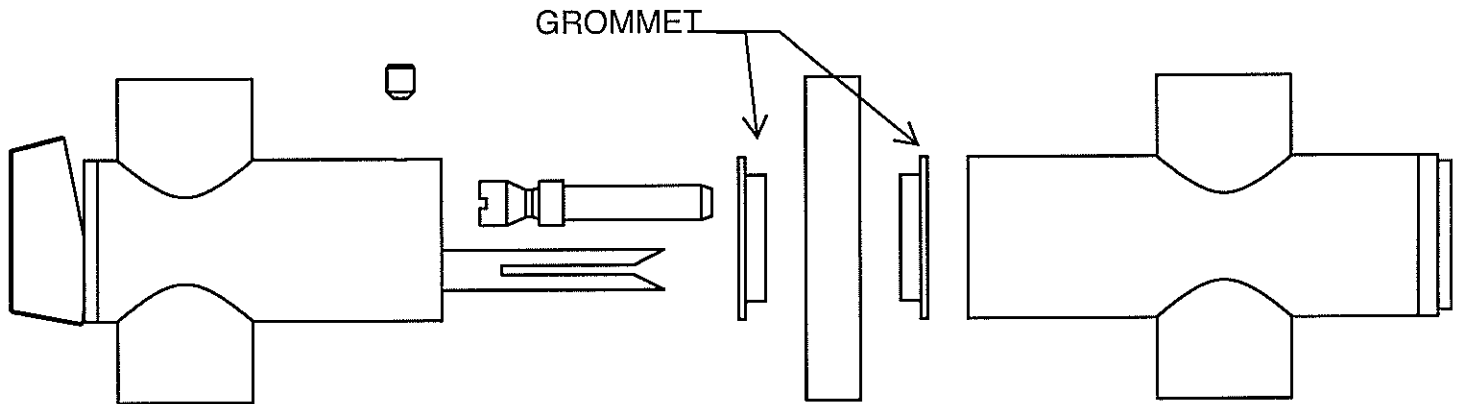
3) Using a flat head screwdriver remove the conehead machine screw on each mounting post. **RETAIN ALL FASTENERS (WASHERS AND BUSHINGS) REMOVED FOR INSTALLATION OF LOCKING LADDER PULL ON DOOR PANEL.**



## 2. Exterior Pull Installation

Confirm location of mounting holes on door panel.

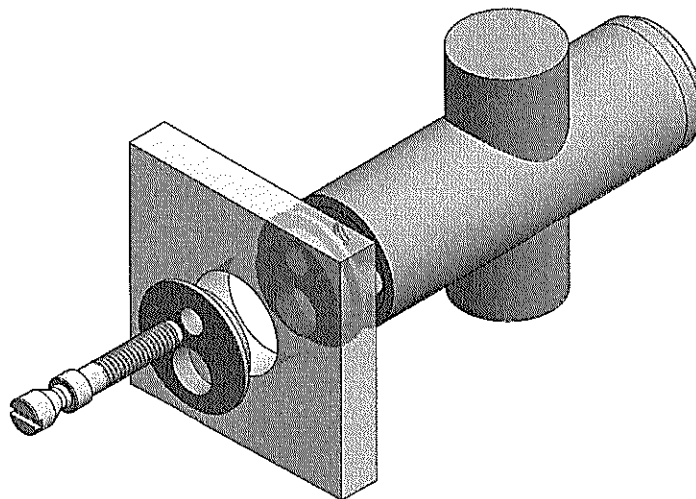
The door panel at the cylinder/thumbturn housing is protected by a plastic grommet on the interior and exterior.



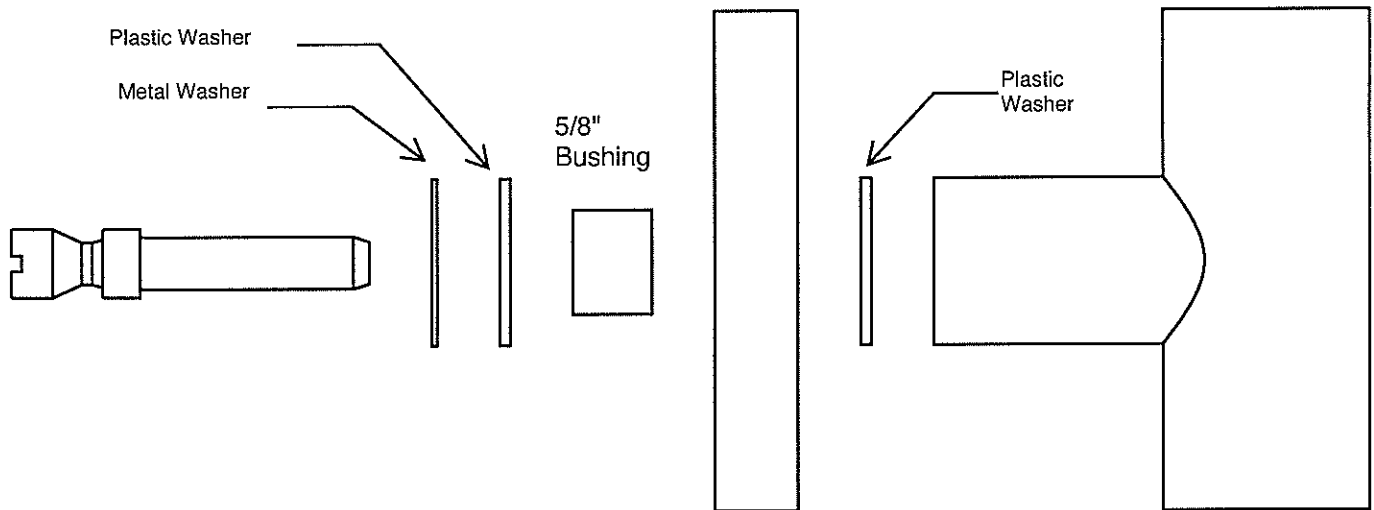
The 1 1/2" diameter cylinder post is connected with a standard 5/16-18 conehead machine screw and set screw.

1) Place 1-1/2" plastic washer in 1-3/16" dia hole exterior side of glass and align exterior cylinder housing with washer.

2) Place 1-1/2" plastic washer in 1-3/16" dia hole interior side of glass, align and thread 2" x 5/16-18 conehead bolt through glass panel.



The 1" diameter post is connected with a standard 5/16-18 conehead machine screw with protective bushing in 5/8" diameter hole and plastic washers at interior and exterior of door panel. A metal washer is placed against the shoulder of the conehead bolt. With the exterior pull supported in place thread the conehead bolts into the exterior pull.



3) Place 1" dia clear plastic washer between exterior post and glass and pass 2" x 5/16-18 conehead bolt threading into exterior post. The 5/8" bushing protects the glass from the edge of the conehead bolt. A plastic washer and metal washer should be underneath the shoulder of the conehead bolt with the plastic washer facing the glass.

