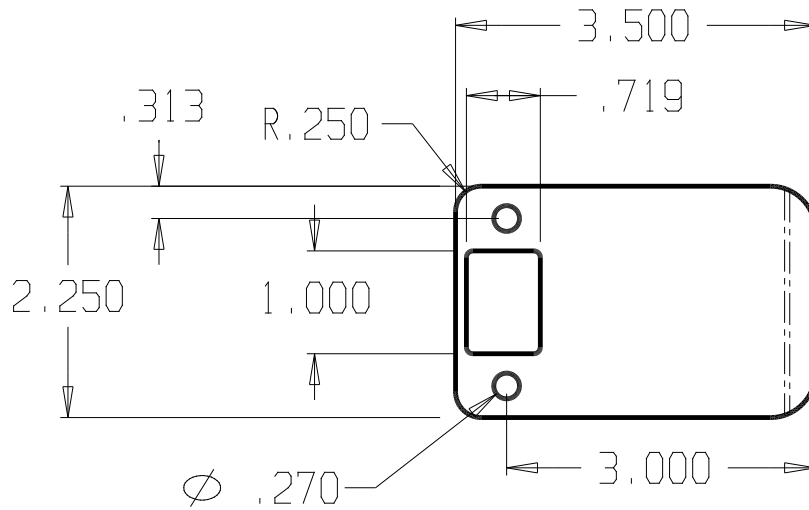


DWG NO	SH	REV
--------	----	-----

ZONE		REV	FINISHES:	GALUGE:
			605,609,619, 620,630 & DU	18ga. .050



DON-JO MFG. INC.

DESIGNER
APPROVED

SIZE A	DATE: 5/13/04	PART NO. EL-103-RC	REV
SCALE	RELEASE DATE	WEIGHT	SHEET