



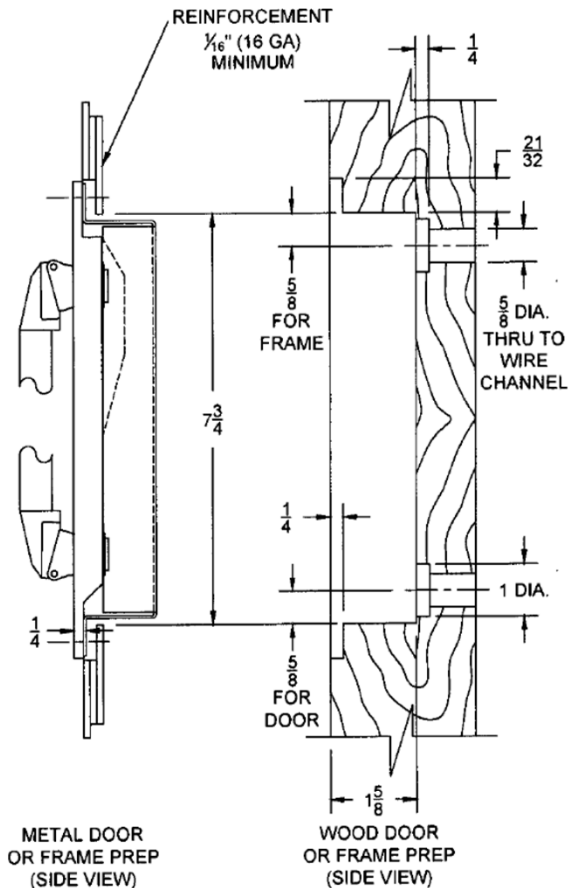
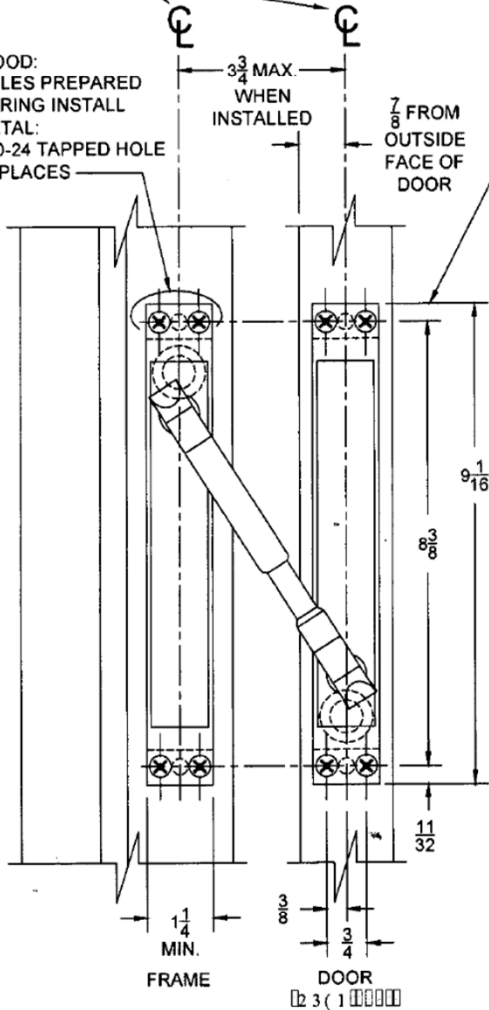
**FOR USE WITH:**

- DOOR THICKNESS 1-3/4"
- BUTT HINGES UP TO 5" FOR MAX 180 DEG. DOOR SWING
- 5-1/2" BUTT HINGES FOR MAX 130 DEG. DOOR SWING
- 6" BUTT HINGES FOR MAX 110 DEG. DOOR SWING
- 3/4" OFFSET PIVOTS FOR 180 DEG. MAX DOOR SWING

☉ OF PT IN FRAME MUST ALIGN WITH ☉ OF PT IN DOOR

WOOD:  
HOLES PREPARED DURING INSTALL  
METAL:  
#10-24 TAPPED HOLE  
12 PLACES

RECOMMENDED 6" BELOW UPPER HINGE ON DOORS UP TO 7'0" HIGH.  
LOCATE 24" BELOW UPPER HINGE ON DOORS OVER 7'0" TO 10'0" HIGH.  
NOTE: FOR WOOD FIRE DOOR, CONSULT DOOR MANUFACTURE FOR APPROVED LOCATION.



ELECTRICAL RATINGS	
PT200	(2) 18 AWG WIRES-MAX. RATING 24VDC, 5A OR 120VAC NEC CLASS 3
PT1000/PT1000EZ*	(10) 24 AWG WIRES-MAX. RATING 24VDC, 1A
PT1200/PT1200EZ*	(10) 24 AWG WIRES-MAX. RATING 24VDC, 1A, (2) 18 AWG WIRES-MAX. RATING 24VDC, 5A OR 120VAC NEC CLASS 3
PTC5E	CAT-5E CABLE WIRE, (8) 24 AWG WIRES, (1) 22 AWG WIRE
PTC6PLUS	(8) 24 AWG WIRES & (1) 22 AWG WIRE STANDARD ETHERNET CABLE (1 - 250 MHz) MAX. RATING: 24 VDC, 1A

\*EZ INDICATES MODEL WITH ABH EZ CONNECT WIRE CONNECTORS