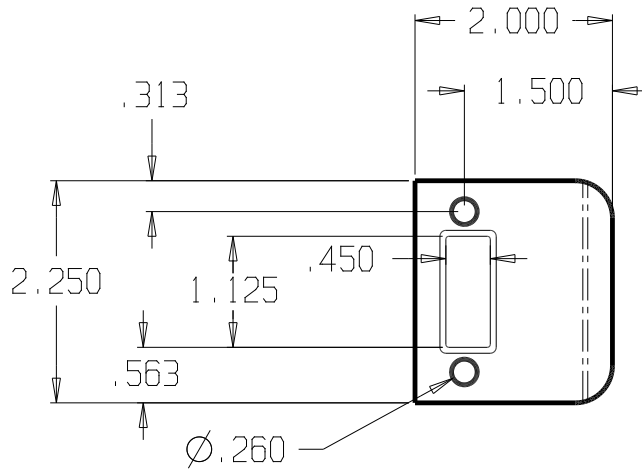


DWG NO.	SH	REV
---------	----	-----

REVISIONS		
ZONE	REV	FINISHES:
		605, 609 & 630
		Gauge:
		18ga. .050



DON-JO MFG. INC.

DESIGNER	SIZE: A	DATE: 8/11/11	PART NO.: D9115	REV
APPROVED	SCALE	RELEASE DATE	WEIGHT	SHEET