

DWG NO

SH

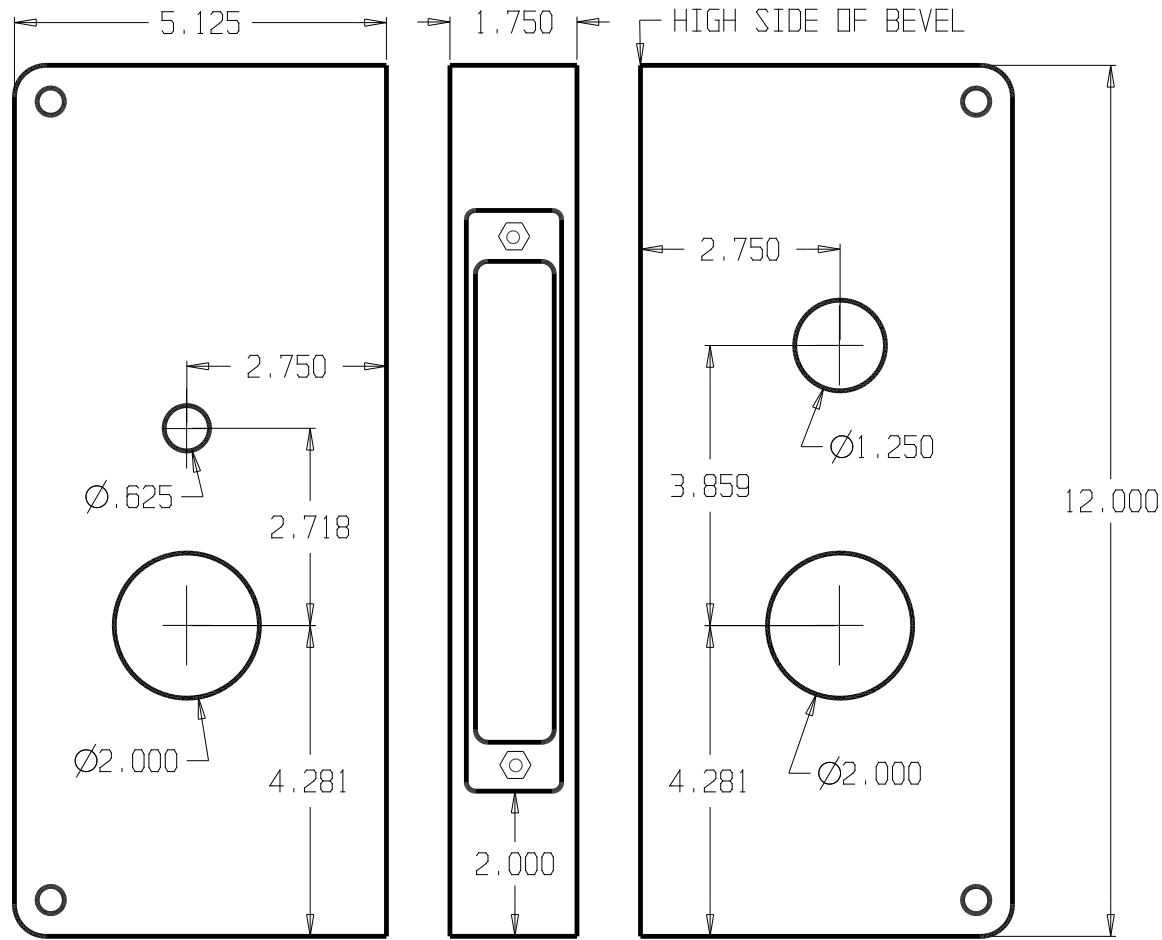
REV

REVISIONS

ZONE	REV

FINISHES:
DU 605, 630 & 612

GALIGE:
22GA .032



DON-JO MFG. INC.

DESIGNER		SIZE	DATE:	PART NO.	REV
		A	6/17/20	9050-CW-RHR	
		SCALE	RELEASE DATE	WEIGHT	SHEET