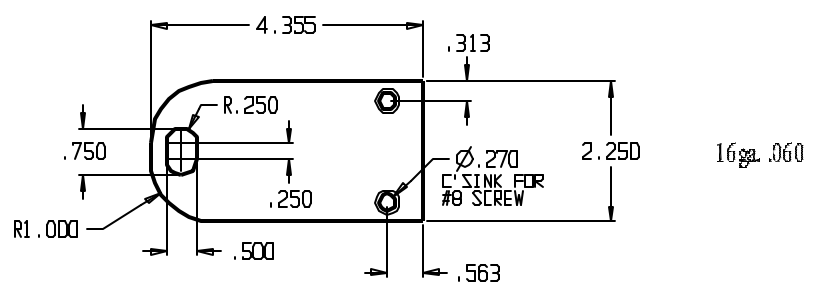
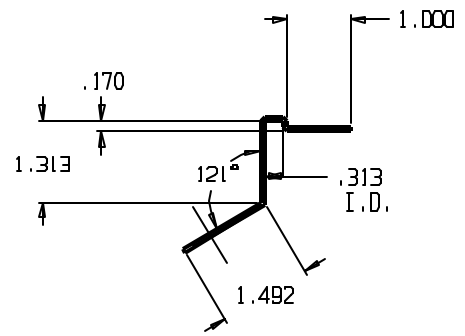
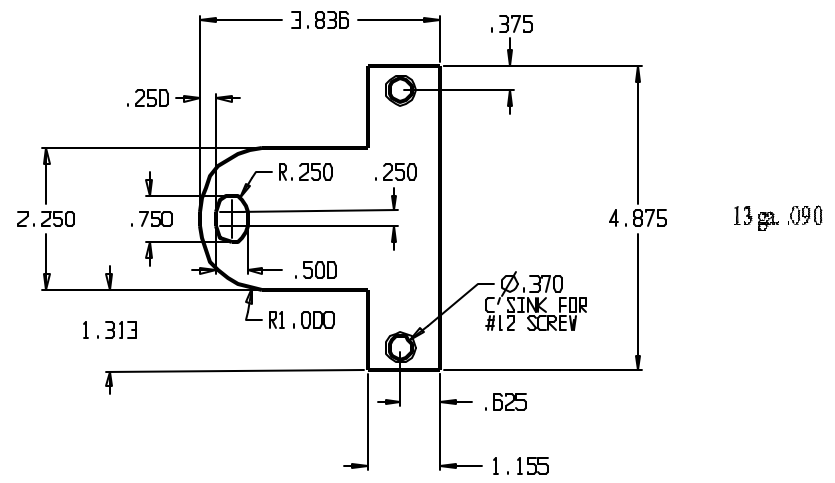
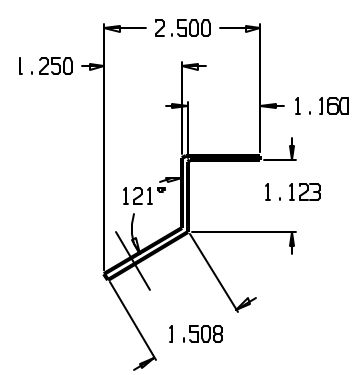


| REVISIONS | | | |
|-----------|-----|------------|---------|
| ZONE | REV | FINISHES : | GUAGE : |
| | | PRIME COAT | |



DON-JO MFG. INC.

| | | | | |
|----------|-------|--------------|----------|-------|
| DESIGNER | SIZE | DATE | PART NO. | REV |
| D.R. | A | 4/19/10 | TL-3 | |
| | SCALE | RELEASE DATE | WEIGHT | SHEET |