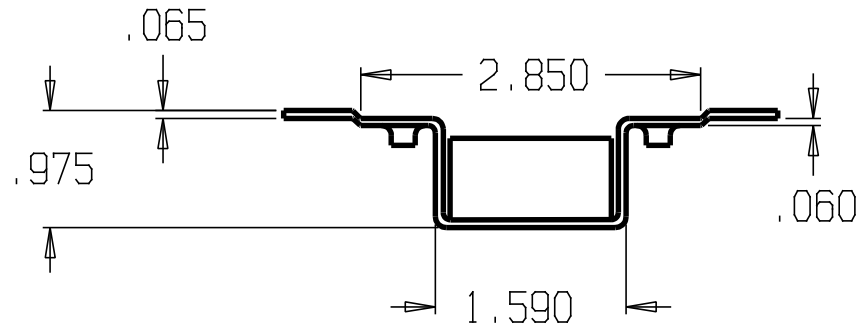
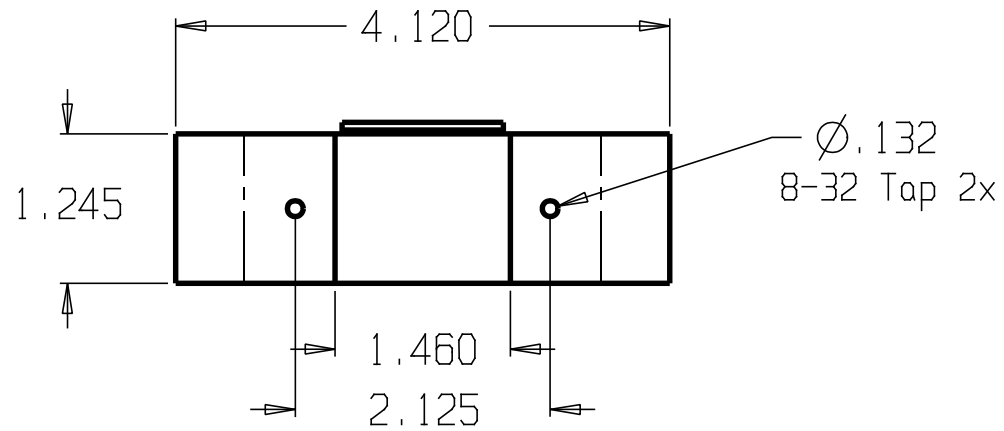


REVISIONS			
ZONE	REV	FINISHES:	GUAGE
		RAW STEEL	16ga. .060



DON-JO MFG. INC.

DESIGNER	SIZE A	DATE: 4/19/04	PART NO. DCB 350	REV
APPROVED	SCALE	RELEASE DATE	WEIGHT	SHEET