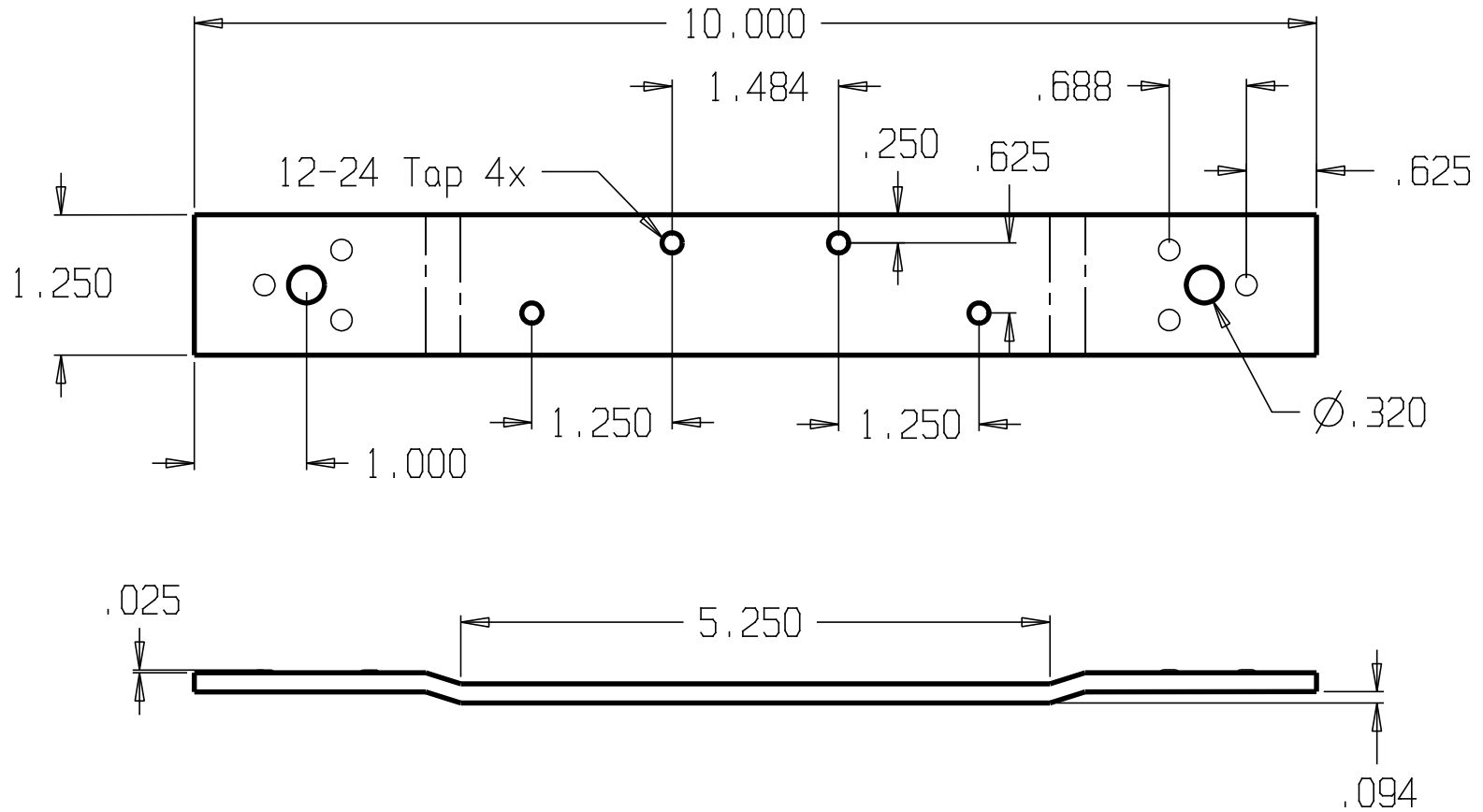


REVISIONS			
ZONE	REV	FINISHES:	GAUGE:
		RAW STEEL	7ga. .179



**DON-JO MFG. INC.**

DESIGNER	
APPROVED	

SIZE	DATE:	PART NO.	REV
A	5/21/04	HR-160	
SCALE	RELEASE DATE	WEIGHT	SHEET