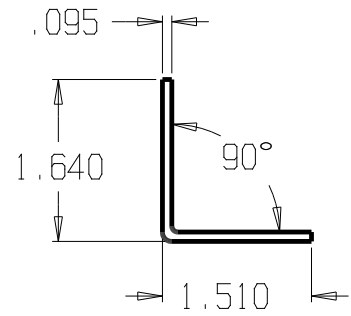
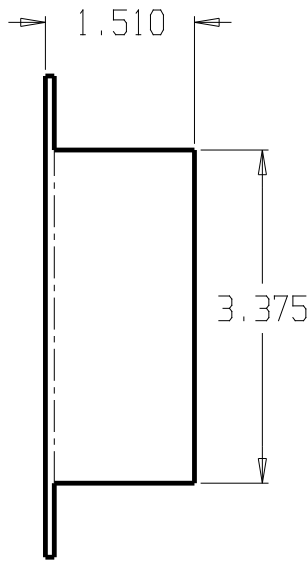
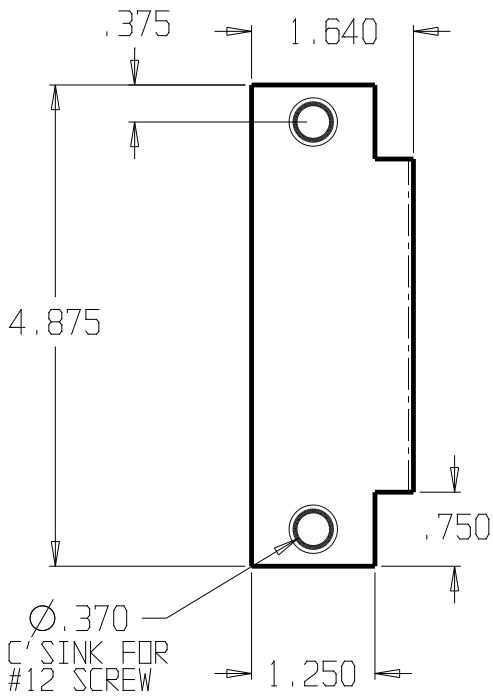


DWG NO.	SH	REV
---------	----	-----

REVISIONS		
ZONE	REV	FINISHES:
		DU & SL
		Gauge:
		13ga. .095



DON-JO MFG. INC.				SIZE	DATE:	PART NO.	REV
DESIGNER		A	6/26/14	AF-260			
APPROVED		SCALE	RELEASE DATE	WEIGHT	SHEET		