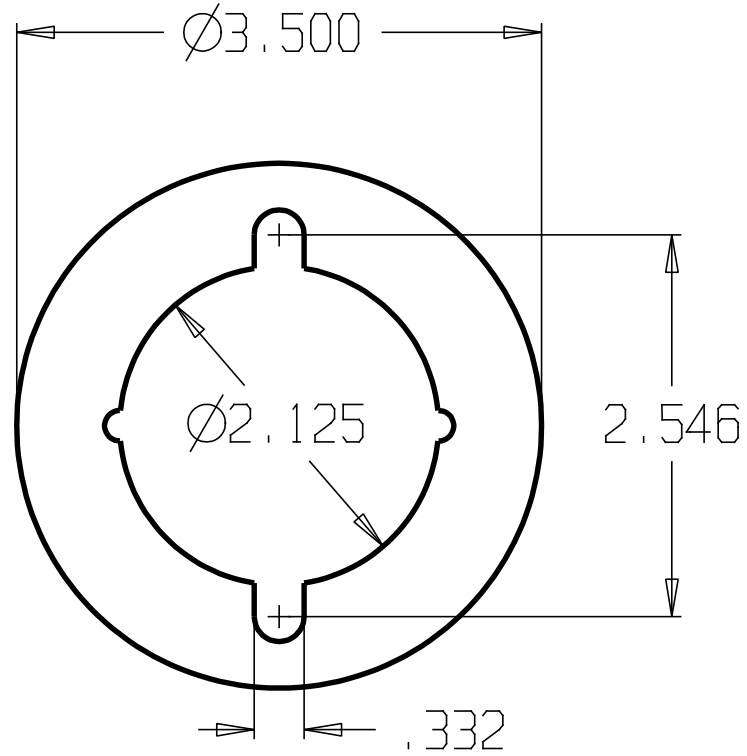


| REVISIONS |     |               |
|-----------|-----|---------------|
| ZONE      | REV | FINISHES:     |
|           |     | 605,613 & 630 |
|           |     | GALUGE:       |
|           |     | 1/8" THICK    |



DON-JO MFG. INC.

|          |       |              |          |       |
|----------|-------|--------------|----------|-------|
| DESIGNER | SIZE  | DATE:        | PART NO. | REV   |
|          | A     | 5/3/04       | AR-9K    |       |
| APPROVED | SCALE | RELEASE DATE | WEIGHT   | SHEET |
|          |       |              |          |       |