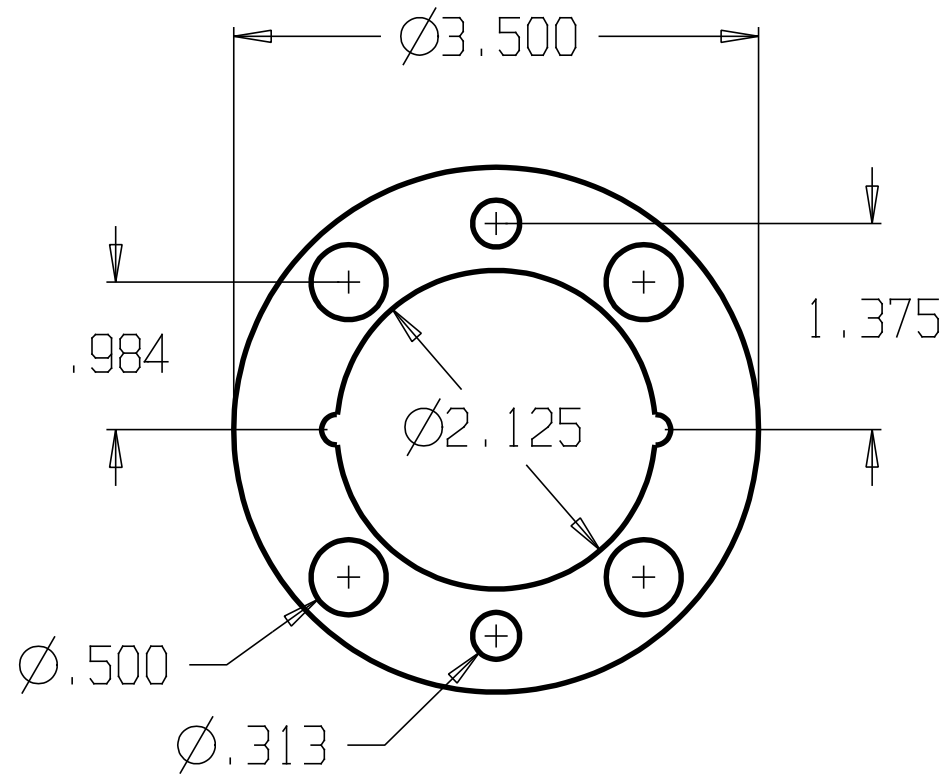


REVISIONS			
ZONE	REV	FINISHES:	GALUGE:
		605,613 & 630	1/8" THICK



STOCK: 1/8" THICK

DON-JO MFG. INC.				SIZE	DATE:	PART NO.	REV
DESIGNER		A	5/3/04	AR-335			
APPROVED		SCALE	RELEASE DATE	WEIGHT	SHEET		