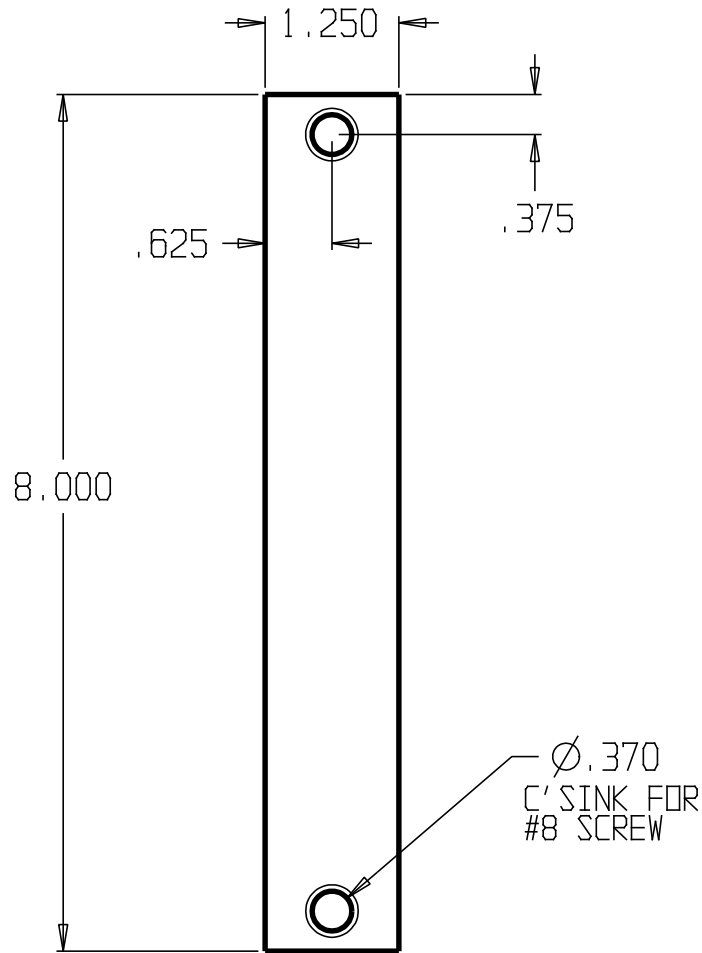


REVISIONS			
ZONE	REV	FINISHES:	GAUGE:
		PC	1/4"



DON-JO MFG. INC.

DESIGNER	SIZE	DATE:	PART NO.	REV
	A	5/13/04	LW-86	
APPROVED	SCALE	RELEASE DATE	WEIGHT	SHEET