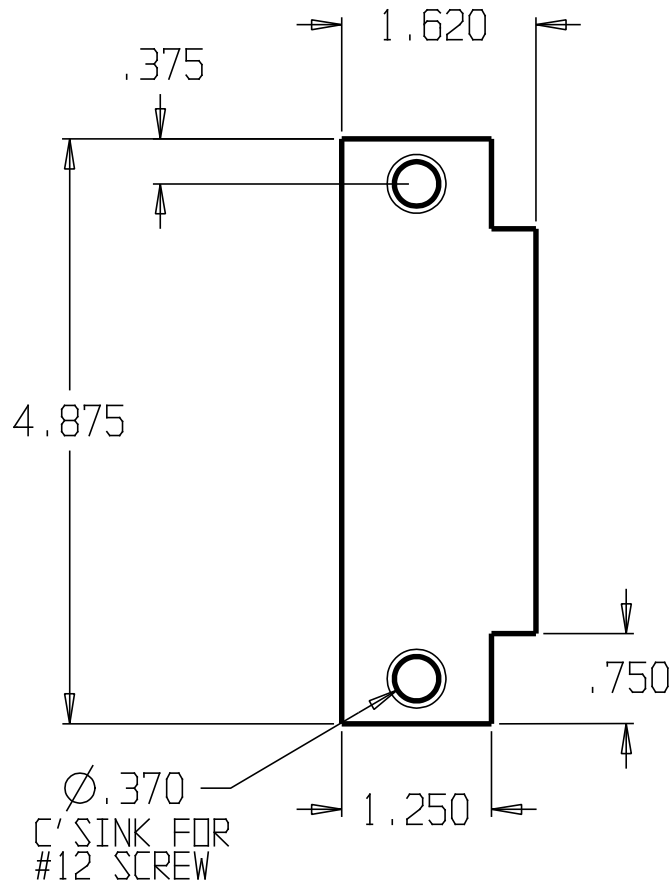


REVISIONS

ZONE	REV	FINISHES:	GUAGE:
		PC	13ga. .090



DON-JO MFG. INC.

DESIGNER	SIZE	DATE:	PART NO.	REV
	A	5/19/04	FS-260	
APPROVED	SCALE	RELEASE DATE	WEIGHT	SHEET