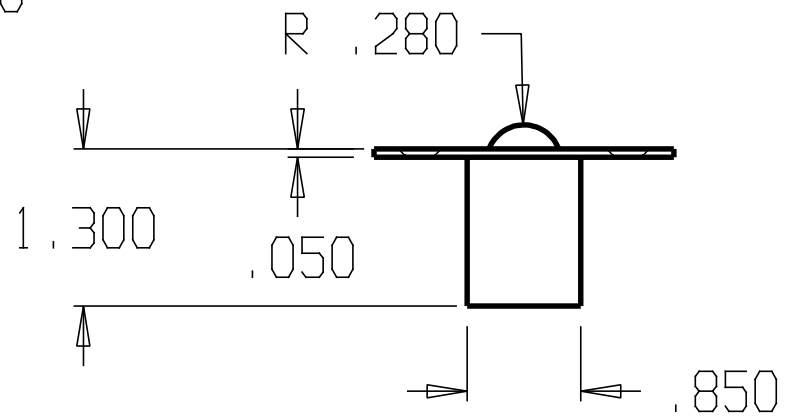
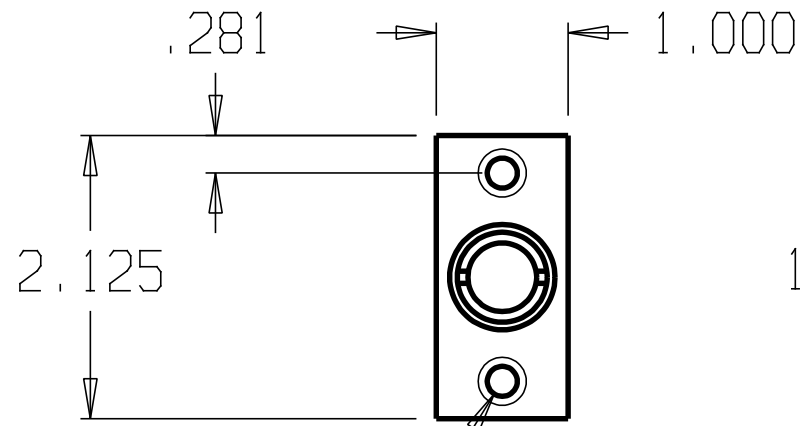
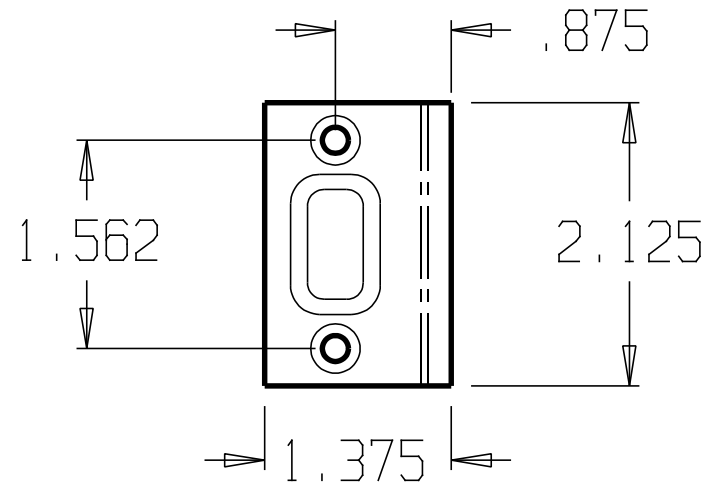
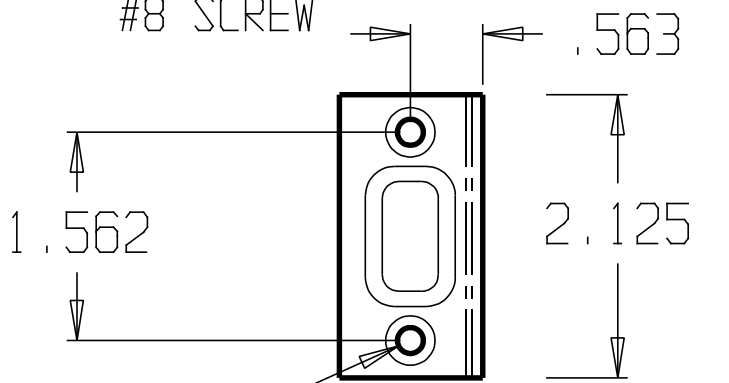


REVISIONS				
ZONE	REV	FINISHES:	DATE	APPROVED
		605, 613, 619, 620, 626		



Ø .225
C' SINK FOR
#8 SCREW

STRIKE THICKNESS: .050



Ø .195
C' SINK FOR
#6 x 1/2"
WOOD SCREW

DESIGNER		DON-JO MFG. INC.		SIZE	DATE:	PART NO.	REV
		APPROVED	SCALE	A	3/29/04	#1712	
				RELEASE DATE	WEIGHT	SHEET	