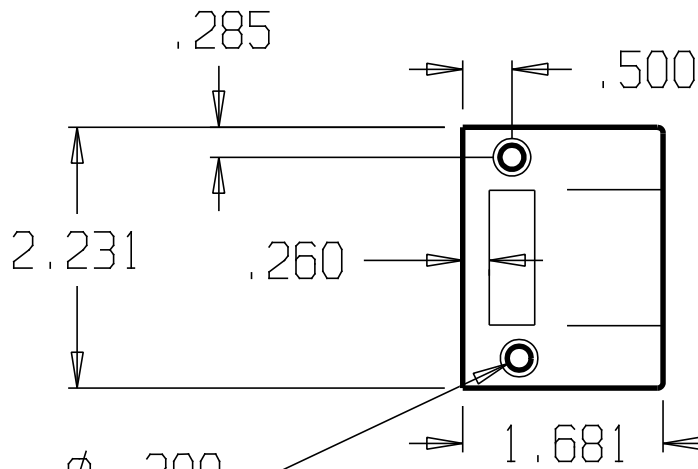
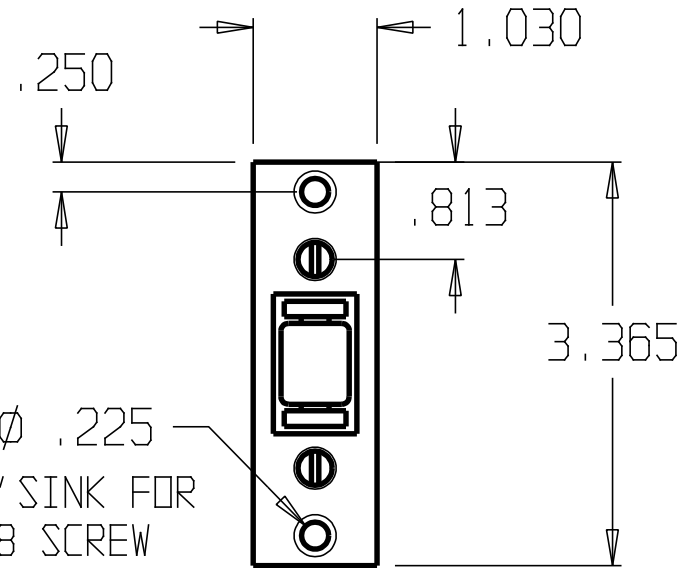
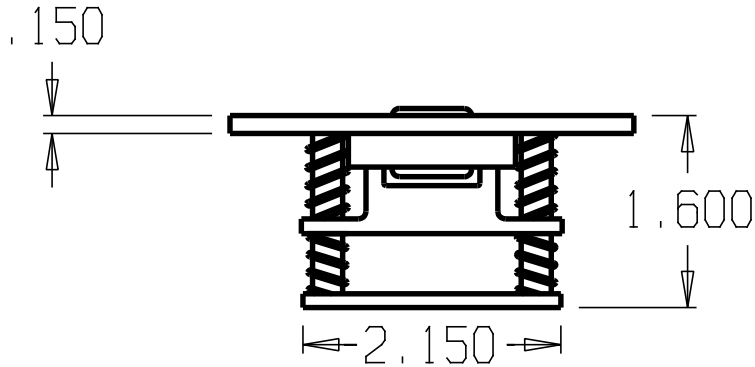


REVISIONS				
ZONE	REV	FINISHES:	DATE	APPROVED
		605,613,619,620,626		



Pocket in door needed
 15/16" Wide x 2 1/4" Long x 1 1/2" Deep

Ø .200
 C' SINK FOR
 #8 SCREW

STRIKE THICKNESS: .164

DON-JO MFG. INC.

DESIGNER	SIZE A	DATE 8/18/06	PART NO. #1700	REV
APPROVED	SCALE	RELEASE DATE	WEIGHT	SHEET