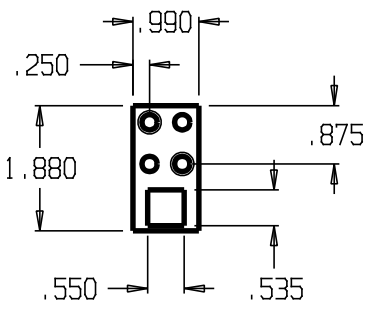
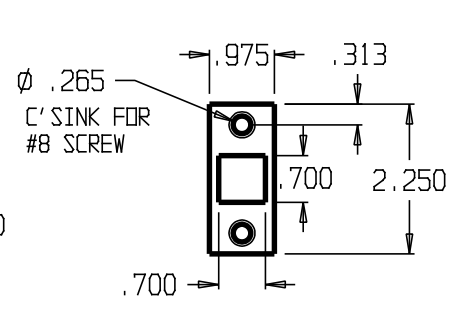
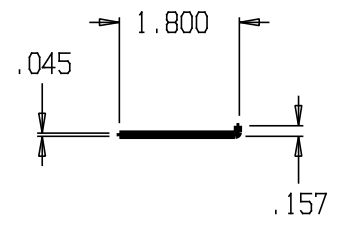
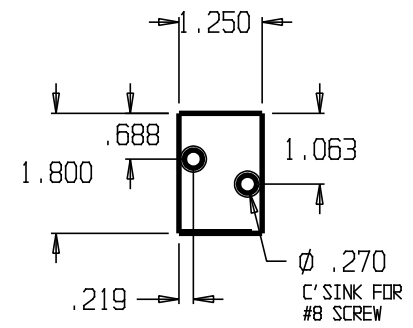
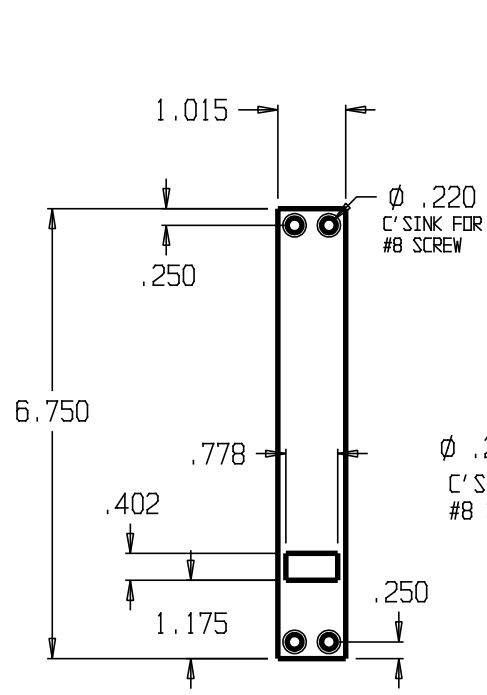
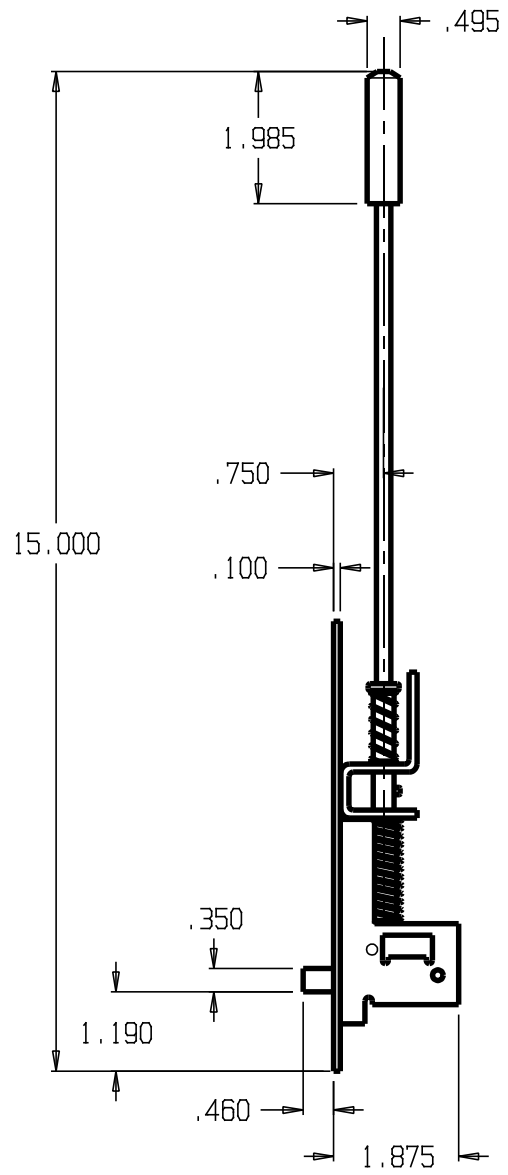
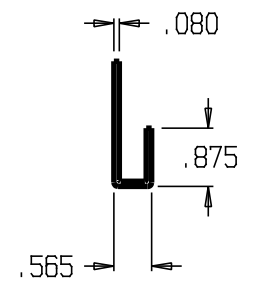


REVISIONS			
ZONE	REV	FINISHES:	DATE
		605,613,626	
			APPROVED



.050 THICK



DON-JO MFG. INC.

DESIGNER	SIZE A	DATE: 3/25/04	PART NO. #1560	REV
APPROVED	SCALE	RELEASE DATE	WEIGHT	SHEET