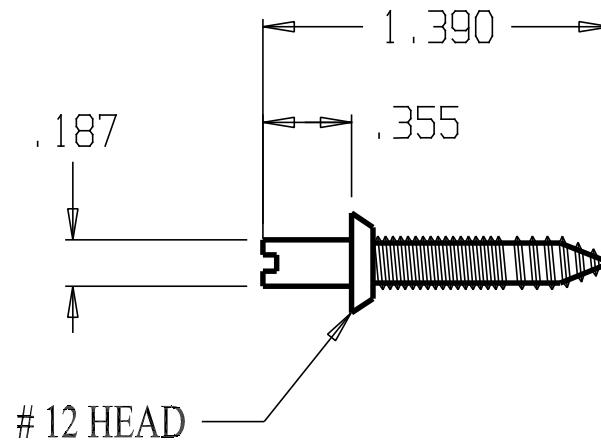


REVISIONS			
ZONE	REV	FINISHES:	GUAGE:
		BP & CP	



PACKED 2 PER BAG

DON-JO MFG. INC.

DESIGNER	SIZE	DATE:	PART NO.	REV
	A	5/4/04	CHP-100	
APPROVED	SCALE	RELEASE DATE	WEIGHT	SHEET