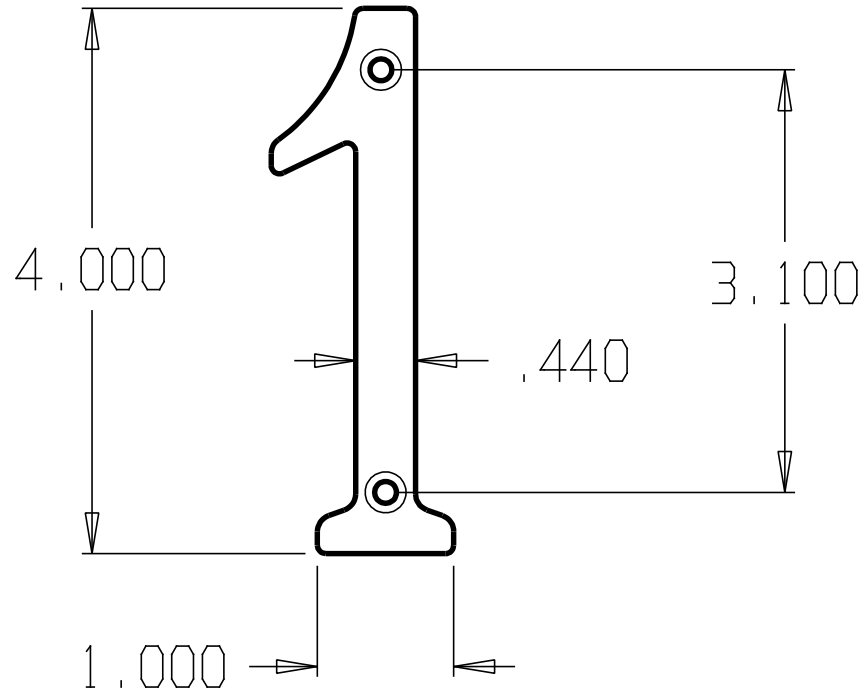


REVISIONS			
ZONE	REV	FINISHES:	GAUGE:
		605	3/16" THICK



DON-JO MFG. INC.

DESIGNER	SIZE	DATE:	PART NO.	REV
	A	5/4/04	BN4-1	
APPROVED	SCALE	RELEASE DATE	WEIGHT	SHEET