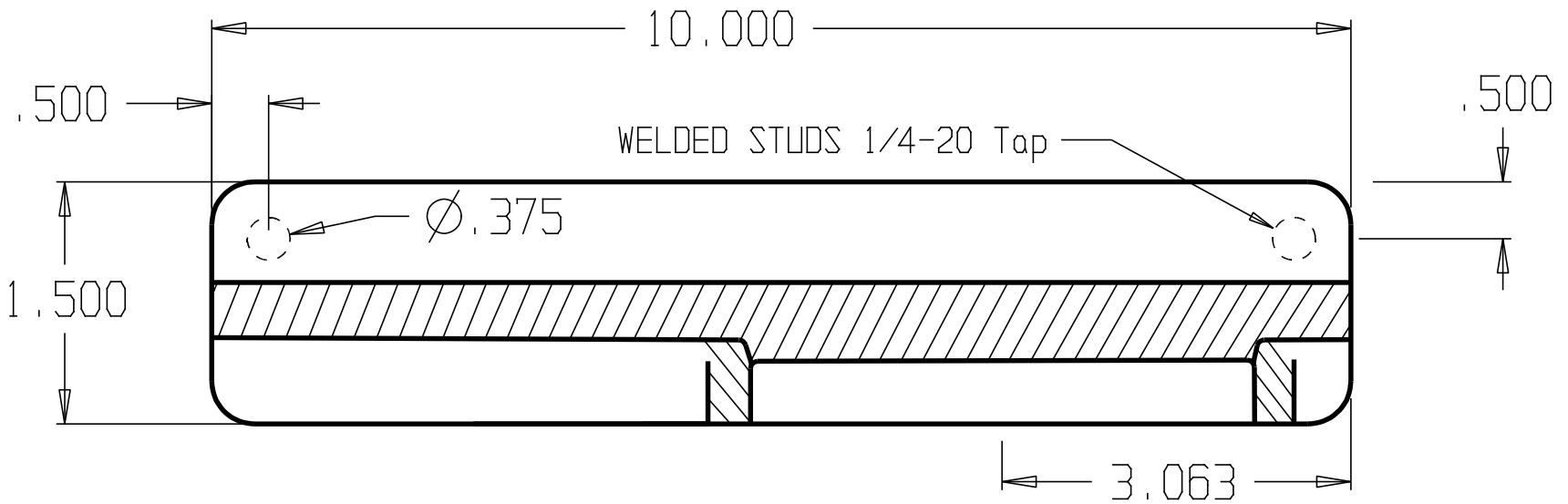


REVISIONS			
ZONE	REV	FINISHES:	GAUGE:
		630	12ga. .104



DON-JO MFG. INC.

DESIGNER	
APPROVED	

SIZE A	DATE: 6/10/04	PART NO. KLP-110-630-RHR	REV
SCALE	RELEASE DATE	WEIGHT	SHEET