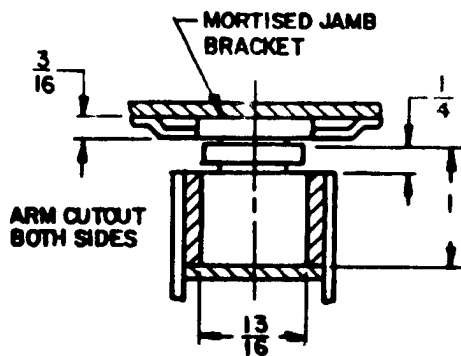
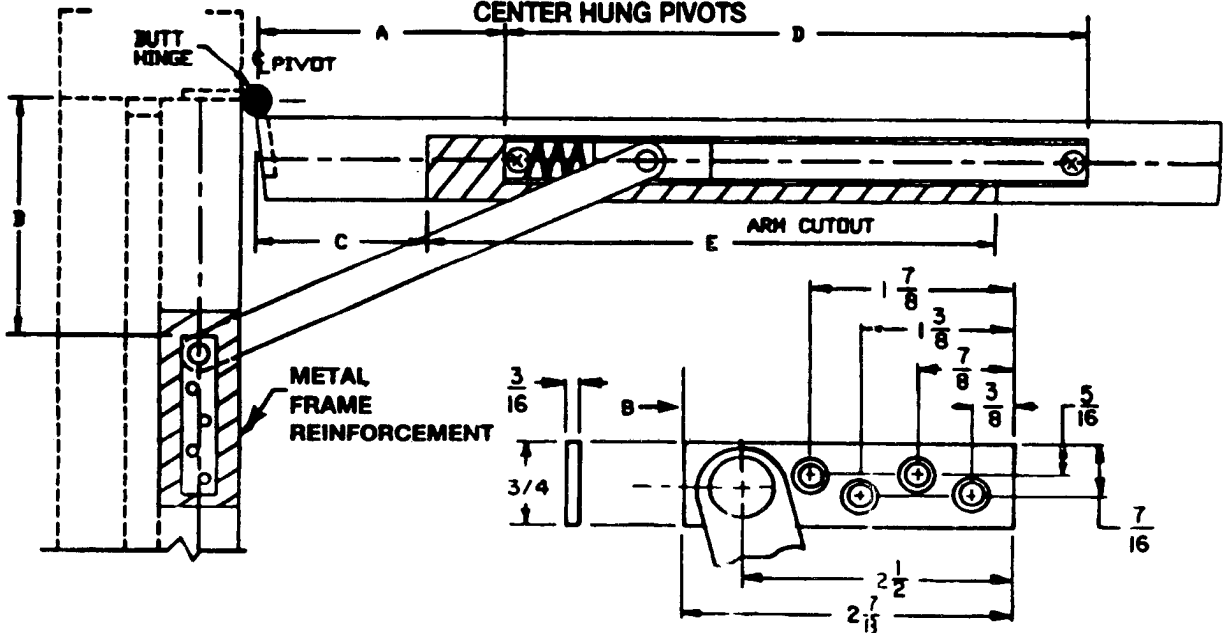


REVERSIBLE

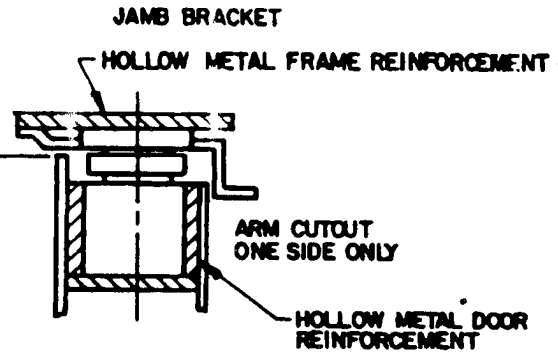
Part# 3023

NON-HANDED

30' to 48" DOOR OPENINGS  
 BUTT, INVISIBLE, HOSPITAL HINGES, OFFSET PIVOTS  
 32" to 48" DOOR OPENINGS  
 CENTER HUNG PIVOTS

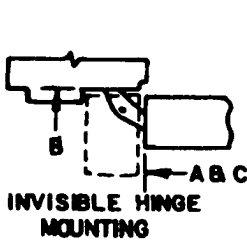


DOUBLE ACTING DOOR

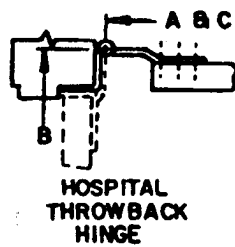


SINGLE ACTING DOOR

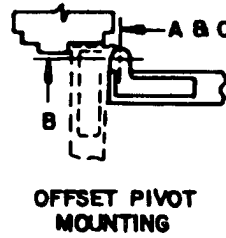
ALL DIMENSIONS SHOWN IN INCHES



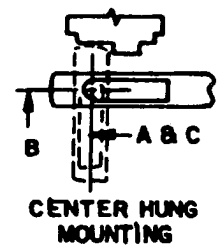
INVISIBLE HINGE MOUNTING



HOSPITAL THROWBACK HINGE



OFFSET PIVOT MOUNTING



CENTER HUNG MOUNTING

NOTE: A, B & C DIMENSIONS MEASURED AS SHOWN

| SCREW DETAIL |     |                          |                          |
|--------------|-----|--------------------------|--------------------------|
|              | QTY | WOOD                     | METAL                    |
| JAMB         | 4   | No.10 x 1-1/2" F.H.V.S.  | 10-32 X 1/2" F.H.M.S.    |
| DOOR         | 2   | No.10 x 1-1/2" RD.H.V.S. | 10-32 X 1-1/4" RD.H.M.S. |

ALWAYS REQUEST LATEST TEMPLATE DRAWINGS FOR NEW INSTALLATIONS

DO NOT SCALE DRAWING

**DON-JO** MFG., INC.

P.O. Box 929  
 Sterling, Ma. 01564  
 www.don-jo.com

CONCEALED MOUNTING  
ALL DRILLING & TAPPING TO BE DONE IN FIELD

FOR DEAD STOP ADD 1/2" TO "A" DIMENSION  
ALL DIMENSIONS SHOWN IN INCHES

|                         |                             |                             | DOOR OPENINGS - 30' TO 35-15/16" |                             |                                  | 32" TO 37-15/16"                     |                                     |                          |
|-------------------------|-----------------------------|-----------------------------|----------------------------------|-----------------------------|----------------------------------|--------------------------------------|-------------------------------------|--------------------------|
| DOOR THICK              | MOUNTING                    | DOOR THICK                  | MOUNTING                         | DOOR THICK                  | MOUNTING                         | DOOR THICK                           | MOUNTING                            | DOOR THICK               |
| 4013 HOLDER             | 4-1/2X4-1/4 BUTTS           | 1-3/8                       | 3-1/2X3-1/2 BUTTS                | 1-3/8                       | 3 X 3 BUTTS                      | 1-3/8                                | DOOR THICK                          |                          |
| 4023 STOP               | 5 X 5 BUTTS                 | 1-3/4                       | 3/4 OFFSET PIVOTS                | 1-3/4                       | SOSS 218                         | 1-3/8                                | MOUNTING                            |                          |
| 4033 FRICTION           | 3/4 OFFSET PIVOTS           | 2                           | 4 X 4 BUTTS                      | 2                           | SOSS 220                         | 1-3/8                                | SOSS 218                            |                          |
| 'D' = 15-1/8"           | 5 X 5 BUTTS                 | 2-1/4                       | HOSP.THROW-BACK                  | 2-1/4                       | SOSS 220                         | 1-3/8                                | SOSS 218                            |                          |
|                         | 3/4 OFFSET PIVOTS           |                             | 4-1/2X4-1/4 BUTTS                |                             |                                  |                                      |                                     |                          |
| 85°HOLD-OPEN            | A B C E                     | A                           | B C E                            | A                           | B C E                            | A                                    | B C E                               | A B C E                  |
|                         | 10-5/8 6-13/16 6            | 10-13/16                    | 7-1/16 6-1/4 18-1/4              | 10-7/8 7-1/8 6-1/2          | 18                               | 11-1/8 7-5/16 6-1/2                  | 18-1/4 11-3/8 7-5/8                 | 7 18                     |
| 90°HOLD-OPEN            | 10-3/16 6-3/8 5-3/4         | 18                          | 10-3/8 6-5/8 6                   | 18                          | 10-7/16 6-11/16 6                | 18                                   | 10-11/16 6-7/8 6-1/4                | 18 10-15/16 7-3/16 6-1/2 |
| 95°HOLD-OPEN            | 9-13/16 6                   | 5-1/4 18-1/4                | 10                               | 6-1/4 5-1/2 18-1/4          | 10-1/16 6-5/16 5-1/2             | 18-1/4                               | 10-5/16 6-1/2 5-3/4 18-1/4          | 10-1/2 6-3/4 6 18-1/4    |
| 100°HOLD-OPEN           | 9-1/2 5-11/16 5             | 18-1/4                      | 9-5/8 5-7/8 5-1/4                | 18                          | 9-11/16 5-15/16 5-1/4            | 18                                   | 9-15/16 6-1/8 5-1/2                 | 18 10-3/16 6-7/16 5-3/4  |
| 105°HOLD-OPEN           | 9-3/16 5-3/8 3-3/4          | 19                          | 9-3/8 5-5/8 5                    | 18                          | 9-7/16 5-11/16 5                 | 18                                   | 9-5/8 5-13/16 5                     | 18-1/4                   |
| 110°HOLD-OPEN           | 9                           | 5-3/16 1-1/2 21-1/4         | 9-1/8 5-3/8 4                    | 18-3/4                      | 9-3/16 5-7/16 4-3/4              | 18                                   | 9-3/8 5-9/16 4-3/4 18-1/4           |                          |
| DOOR OPENING 36" TO 48" |                             |                             |                                  |                             |                                  |                                      |                                     |                          |
| 4014 HOLDER             | DOOR THICK                  | DOOR THICK                  | MOUNTING                         | DOOR THICK                  | MOUNTING                         | DOOR THICK                           | MOUNTING                            | DOOR THICK               |
| 4024 STOP               | 1-3/4                       | 1-3/8                       | 3-1/2X3-1/2 BUTTS                | 1-3/8                       | 3 X 3 BUTTS                      | 1-3/8                                | DOOR THICK                          |                          |
| 4034 FRICTION           | 5 X 5 BUTTS                 | 1-3/4                       | 3/4 OFFSET PIVOTS                | 1-3/4                       | SOSS 218                         | 1-3/4                                | MOUNTING                            |                          |
| 'D' = 16-3/4"           | 3/4 OFFSET PIVOTS           | 2                           | 4 X 4 BUTTS                      | 2                           | SOSS 220                         | 2                                    | SOSS 218                            |                          |
|                         | 5 X 5 BUTTS                 | 2-1/4                       | HOSP.THROW-BACK                  | 2-1/4                       | SOSS 220                         | 2-1/4                                | SOSS 220                            |                          |
|                         | 3/4 OFFSET PIVOTS           |                             | 4-1/2X4-1/4 BUTTS                |                             |                                  |                                      |                                     |                          |
| 85°HOLD-OPEN            | A B C E                     | A                           | B C E                            | A                           | B C E                            | A                                    | B C E                               | A B C E                  |
|                         | 14-15/16 8-3/8 7-3/4 22-1/2 | 15-1/8 8-1/2 7-3/4 22-3/4   | 15-5/16 8-1/2 7-3/4 22-3/4       | 15-5/16 8-11/16 8           | 22-1/2 15-7/16 8-13/16 8         | 22-3/4 15-3/4 9-1/8 8-1/2            | 22-3/4 15-3/4 9-1/8 8-1/2           | 22-1/2 22-1/2            |
| 90°HOLD-OPEN            | 14-7/16 7-7/8 7-1/4 22-1/2  | 14-5/8 8                    | 7-1/4 22-3/4                     | 14-3/4 8-1/8 7-1/2          | 22-1/2 14-15/16 8-5/16 7-1/2     | 22-3/4 15-3/16 8-9/16 7-3/4          | 22-3/4 15-3/16 8-9/16 7-3/4         | 22-3/4 22-3/4            |
| 95°HOLD-OPEN            | 13-15/16 7-3/8 6-3/4 22-1/2 | 14-3/16 7-9/16 6-3/4 22-3/4 | 14-3/16 7-9/16 6-3/4 22-3/4      | 14-1/4 7-5/8 7              | 22-1/2 14-7/16 7-13/16 7         | 22-3/4 14-11/16 8-1/16 7-1/4         | 22-3/4 14-11/16 8-1/16 7-1/4        | 22-3/4 22-3/4            |
| 100°HOLD-OPEN           | 13-9/16 7                   | 6-1/4 22-1/2                | 13-3/4 7-1/8 6-1/4 22-1/2        | 13-7/8 7-1/4 6-1/2 22-3/4   | 14                               | 7-3/8 6-3/4 22-1/2 14-5/16 7-11/16 7 | 22-1/2 14-5/16 7-11/16 7            | 22-1/2 22-1/2            |
| 105°HOLD-OPEN           | 13-3/16 6-5/8 6             | 22-1/2 13-3/8 6-3/4         | 22-3/4 13-1/2 6-3/4              | 6                           | 22-3/4 13-1/2 6-7/8 6-1/4 22-1/2 | 13-5/8 7                             | 6-1/4 22-3/4 13-15/16 7-5/16 6-1/2  | 22-3/4 22-3/4            |
| 110°HOLD-OPEN           | 12-15/16 6-3/8 5-1/4 22-1/2 | 13-1/16 6-7/16 5-1/4 22-3/4 | 13-3/16 6-9/16 5-3/4 22-3/4      | 13-3/16 6-9/16 5-3/4 22-3/4 | 6                                | 22-1/2 13-9/16 6-15/16 6-1/4 22-1/2  | 22-1/2 13-9/16 6-15/16 6-1/4 22-1/2 | 22-1/2 22-1/2            |