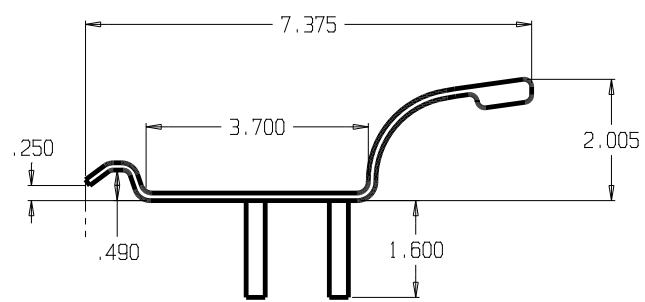
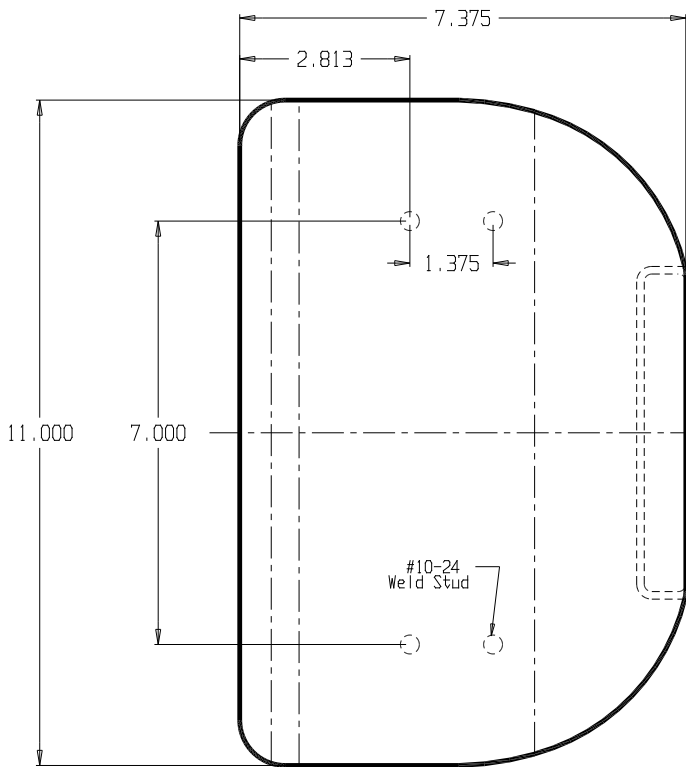


DWG NO.	SH	REV
---------	----	-----

REVISIONS		
ZONE	REV	FINISHES :
		630
		GALUGE :
		11ga.



DON-JO MFG. INC.			
DESIGNER	D.R.	SIZE	A
		DATE:	3/26/10
		PART NO.	VDP-111
		SCALE	
		RELEASE DATE	
		WEIGHT	
		SHEET	