

DWG NO

SH

REV

REVISIONS

ZONE

REV

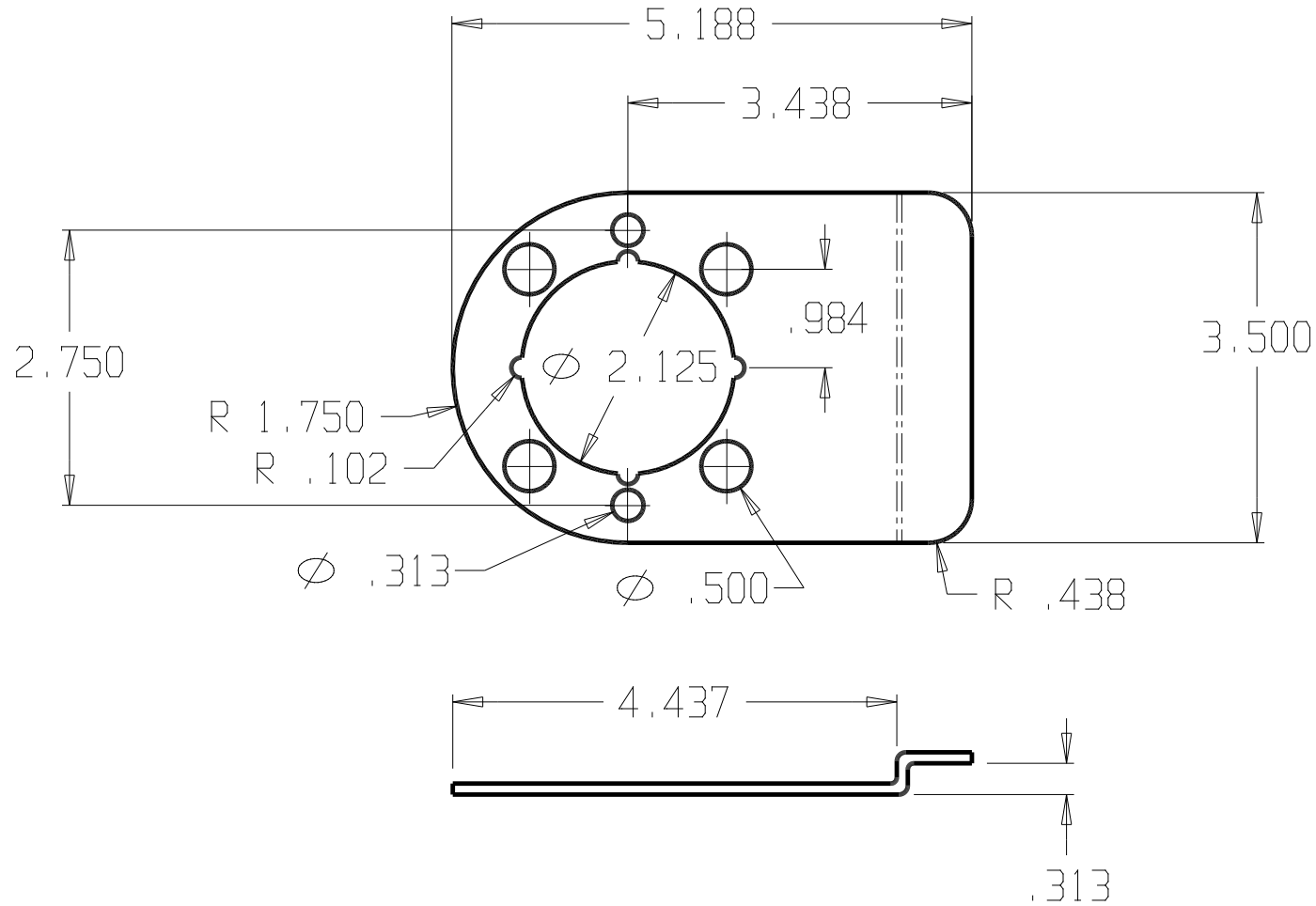
FINISHES:

630, BP, DU, SL

GALIGE:

11ga. .135

GRAIN WITH THE 5.1875"



DON-JO MFG. INC.

DESIGNER

APPROVED

SIZE

A

DATE:

3/24/14

PART NO.

WSLP-104

REV

SCALE

RELEASE DATE

WEIGHT

SHEET