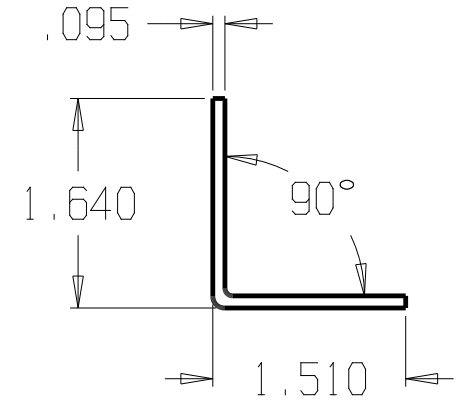
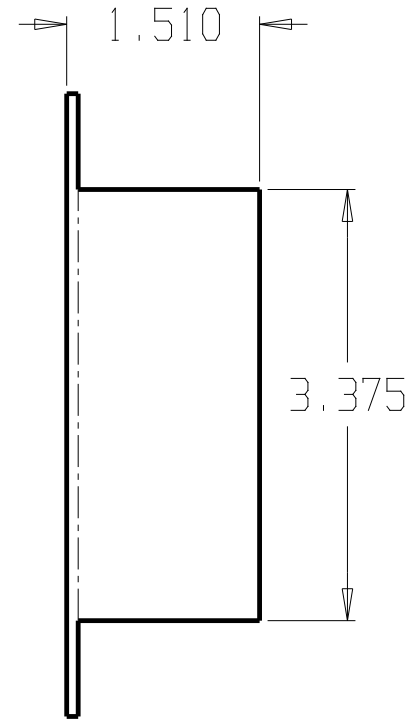
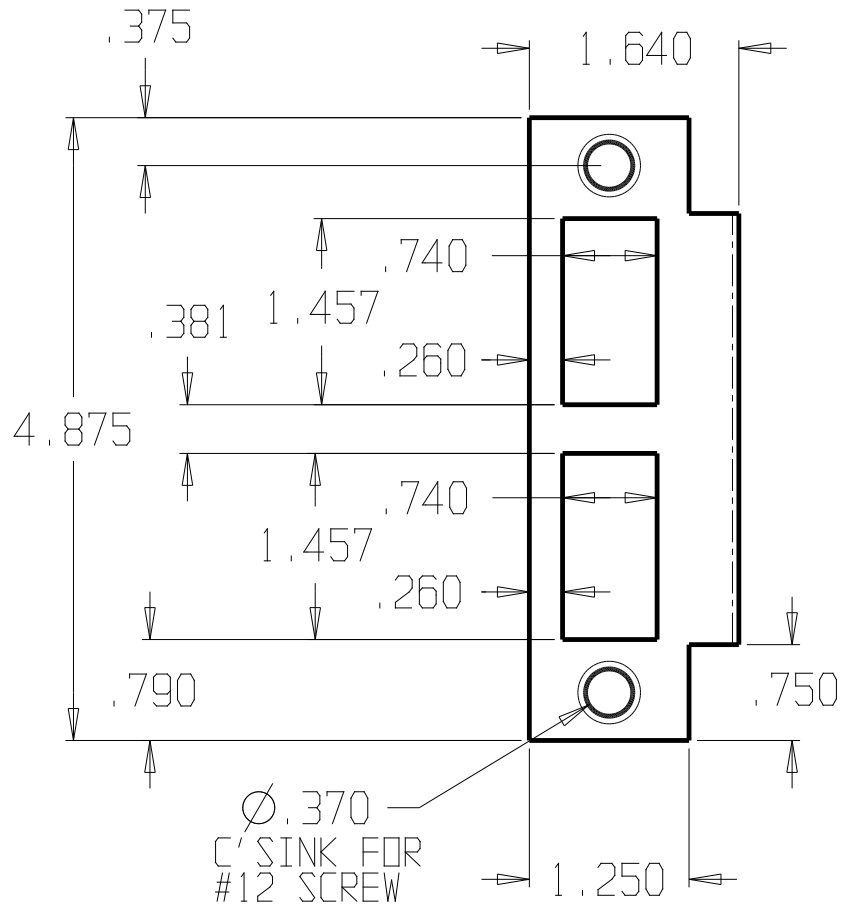


REVISIONS

ZONE	REV

FINISHES: DU & SL

GALIGE: 13ga .095



DON-JO MFG. INC.	
DESIGNER	
APPROVED	

SIZE	DATE:	PART NO.	REV
A	6/26/14	SMAF-261	
SCALE	RELEASE DATE	WEIGHT	SHEET