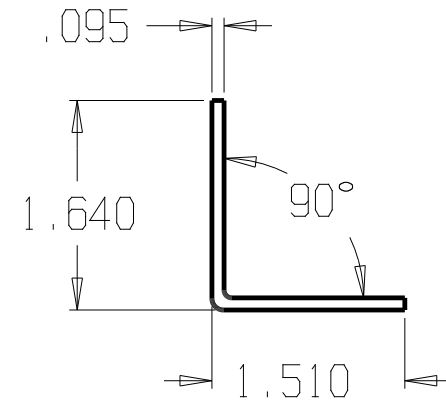
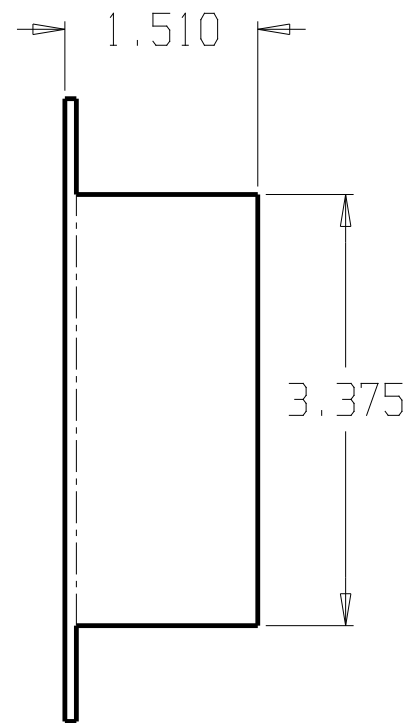
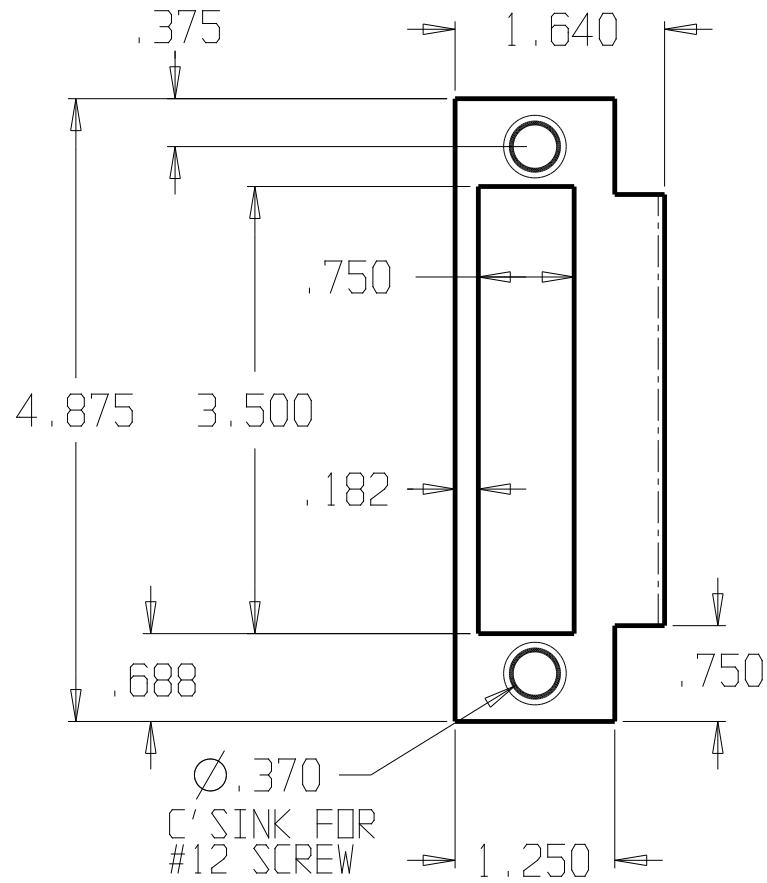


REVISIONS

ZONE	REV	FINISHES:	GALIGE:
		DU & SL	13ga .095



DON-JO MFG. INC.		SIZE	DATE:	PART NO.	REV
DESIGNER		A	6/26/14	MAF-261	
APPROVED		SCALE	RELEASE DATE	WEIGHT	SHEET