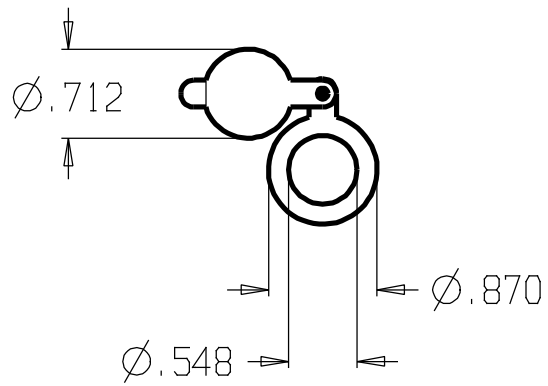


REVISIONS			
ZONE	REV	FINISHES:	GAUGE:
		605, 613, 626	.020



DON-JO MFG. INC.

DESIGNER
D.R.

SIZE A	DATE: 12/9/11	PART NO. DVC	REV
SCALE	RELEASE DATE	WEIGHT	SHEET