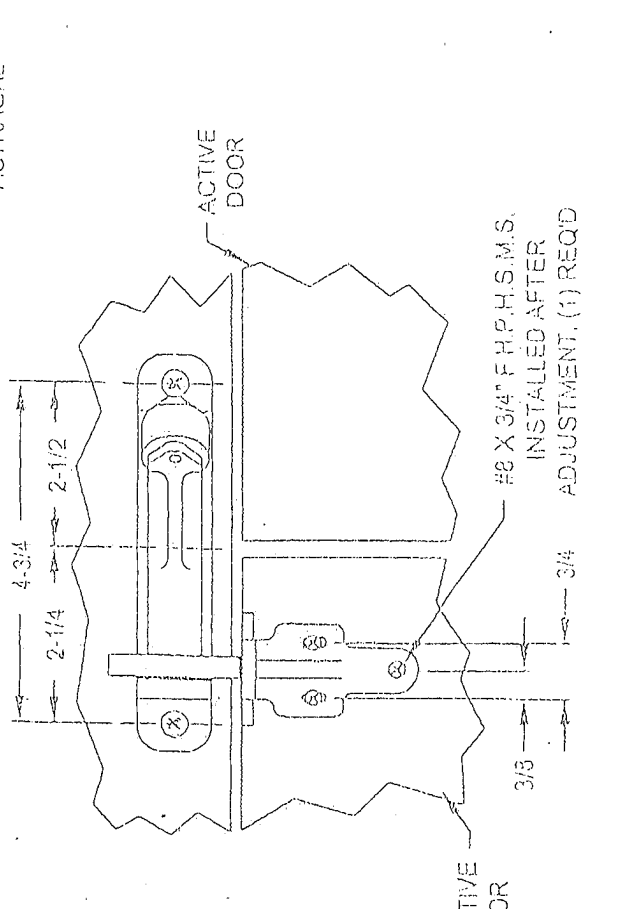
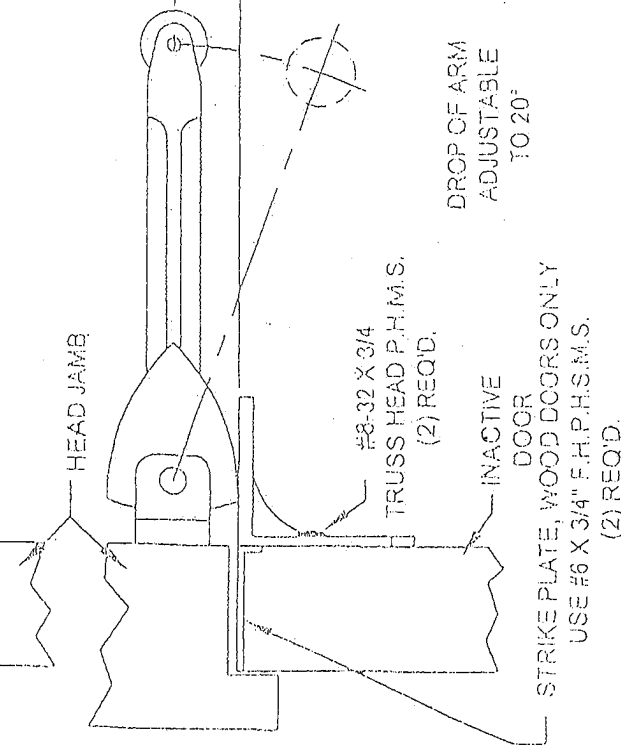
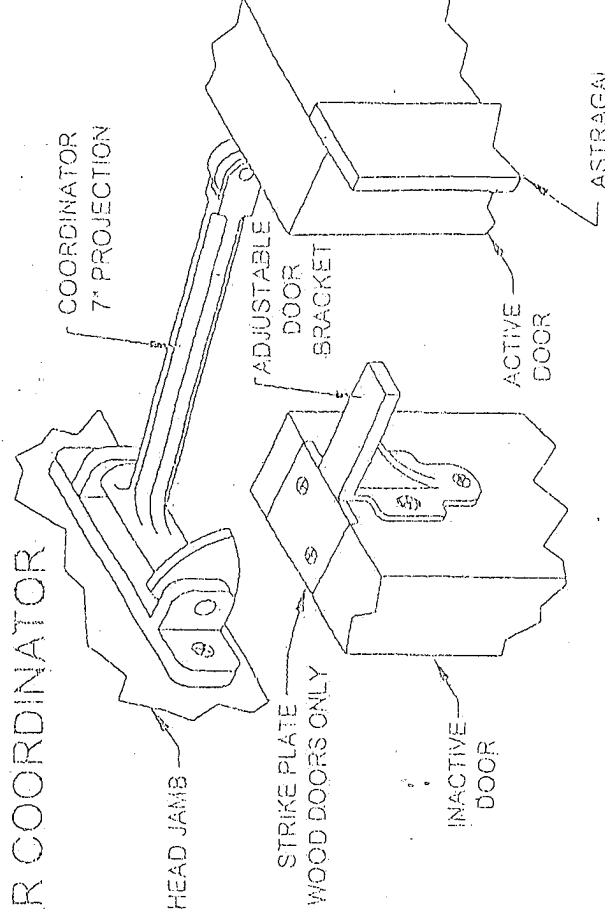
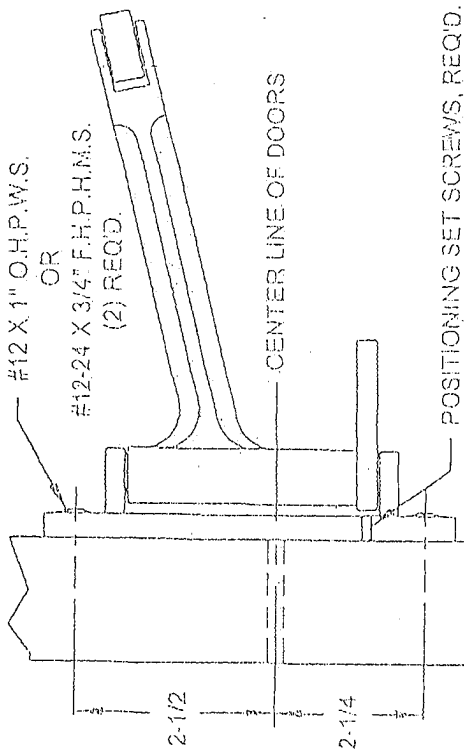


2080 DOOR COORDINATOR

USED ON A PAIR OF SWINGING DOORS WITH AN OVERLAPPING ASTRAGAL. THE DEVICE HOLDS THE ACTIVE DOOR OPEN UNTIL THE INACTIVE DOOR HAS CLOSED.



DON-JO MFG., INC.

P.O. BOX 929 • STERLING, MA. 01564-0929
 * PH (508) 628-3389 * FAX (508) 278-9202
 E-MAIL: sales@don-jo.com * http://www.don-jo.com