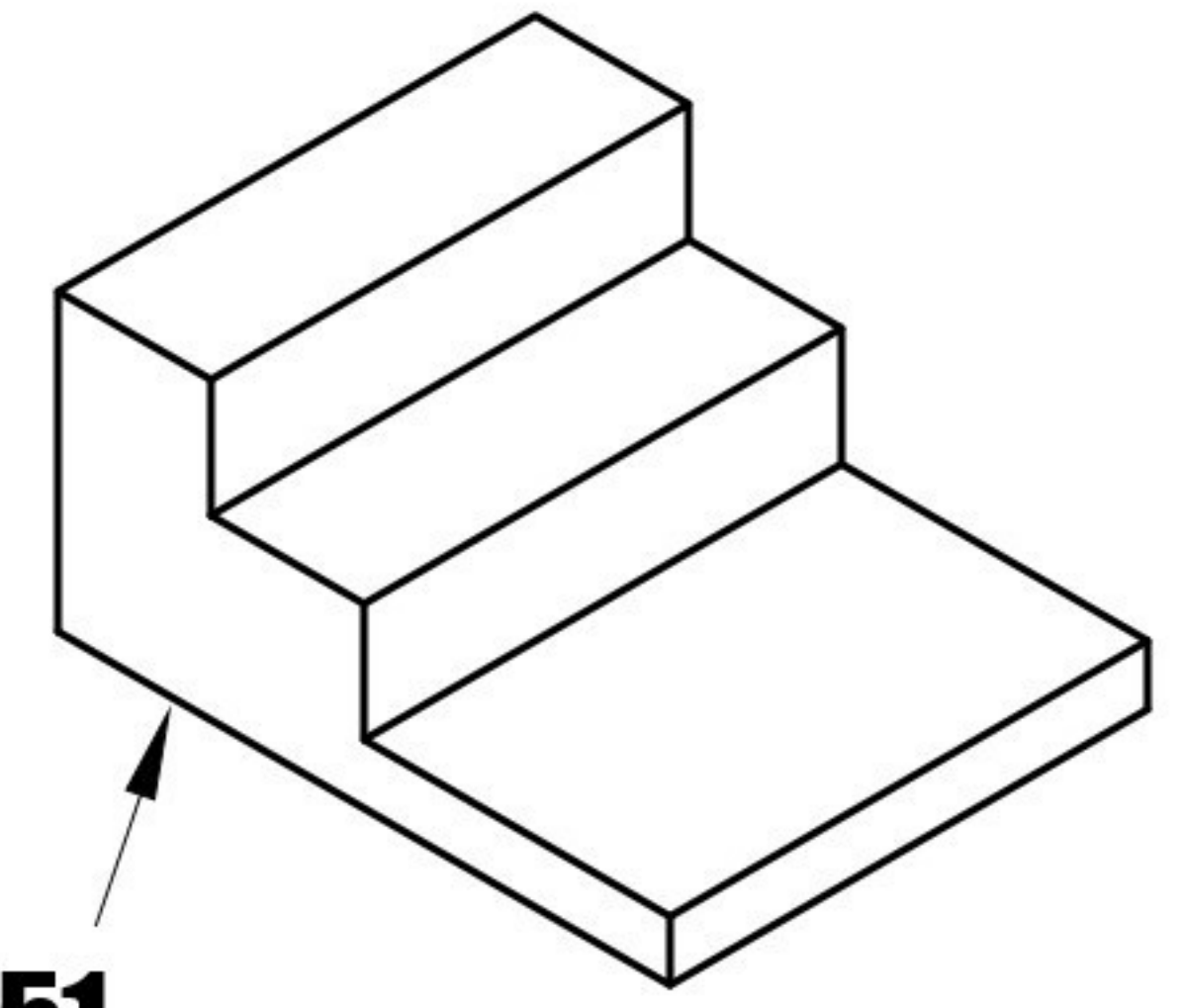
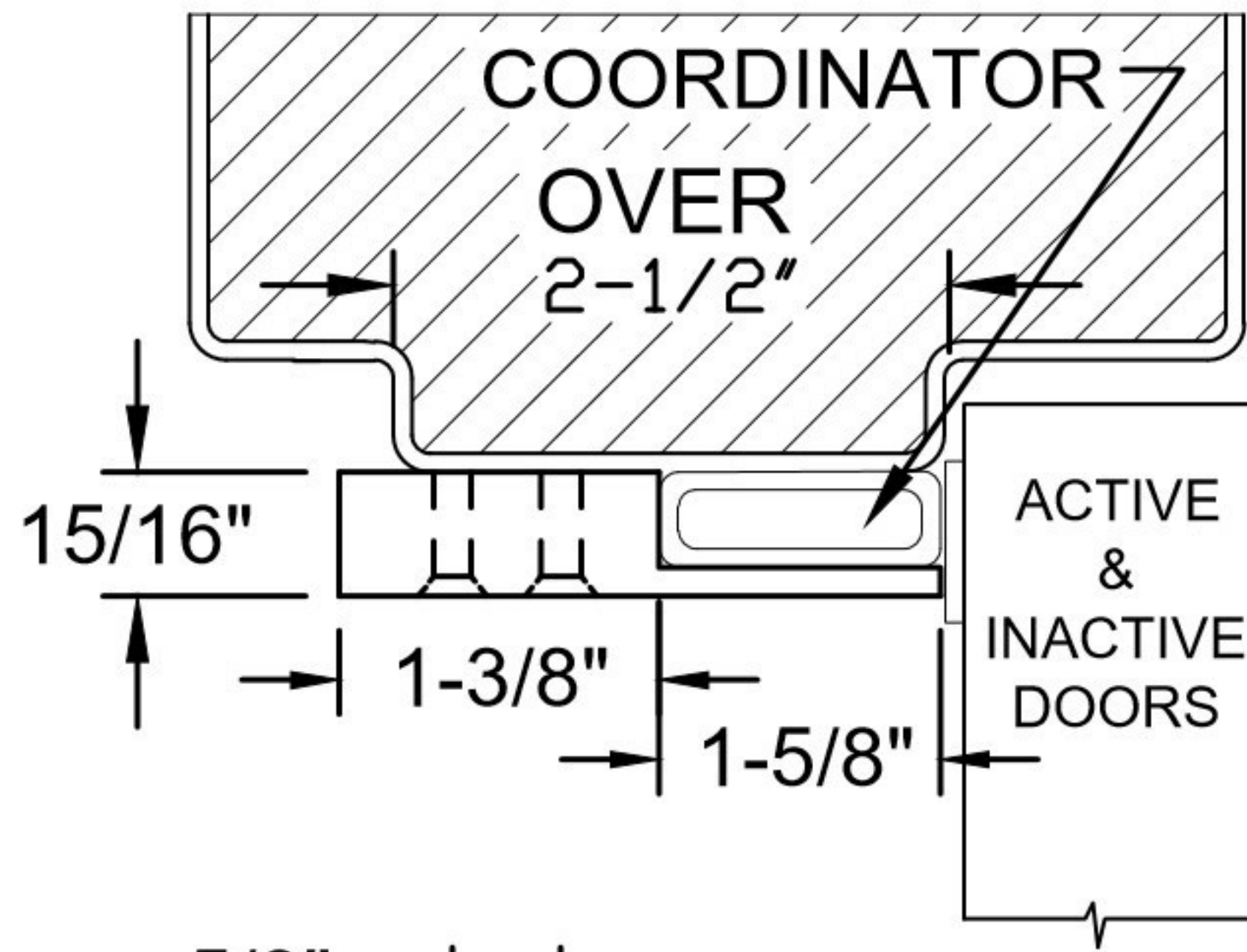
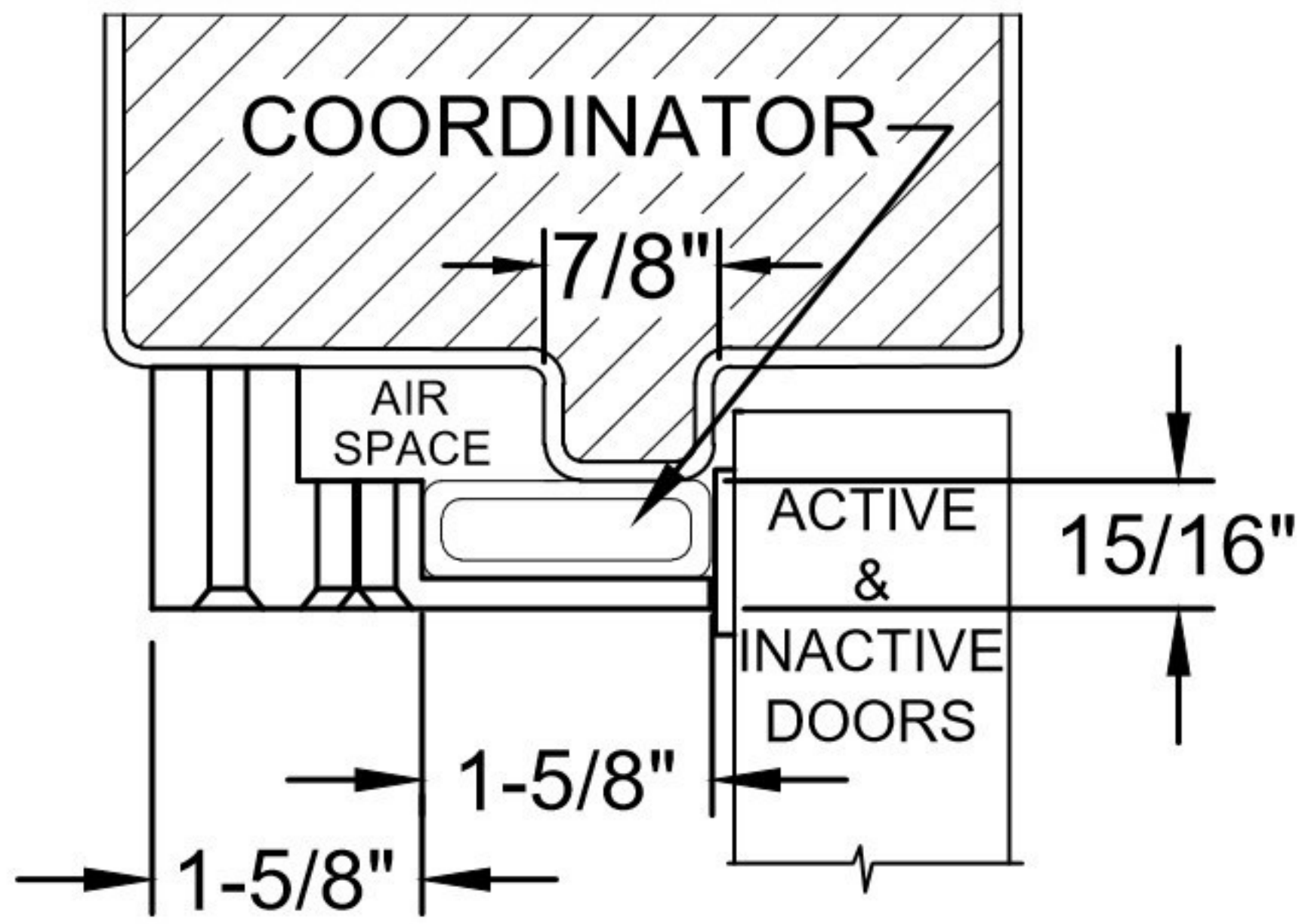
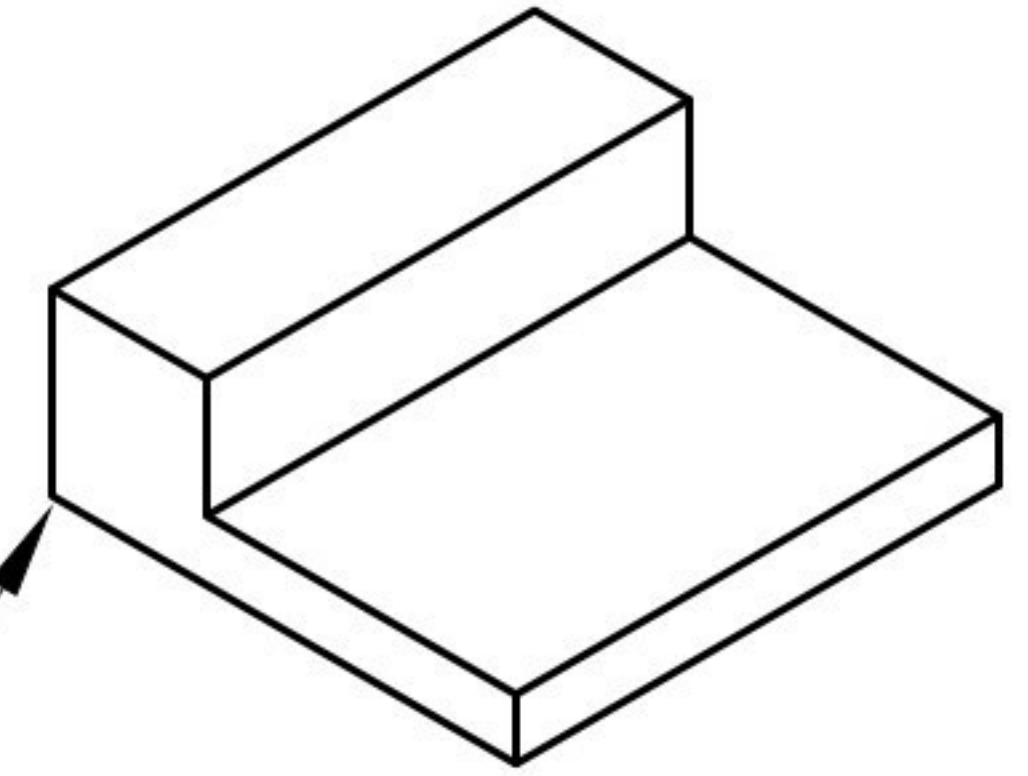


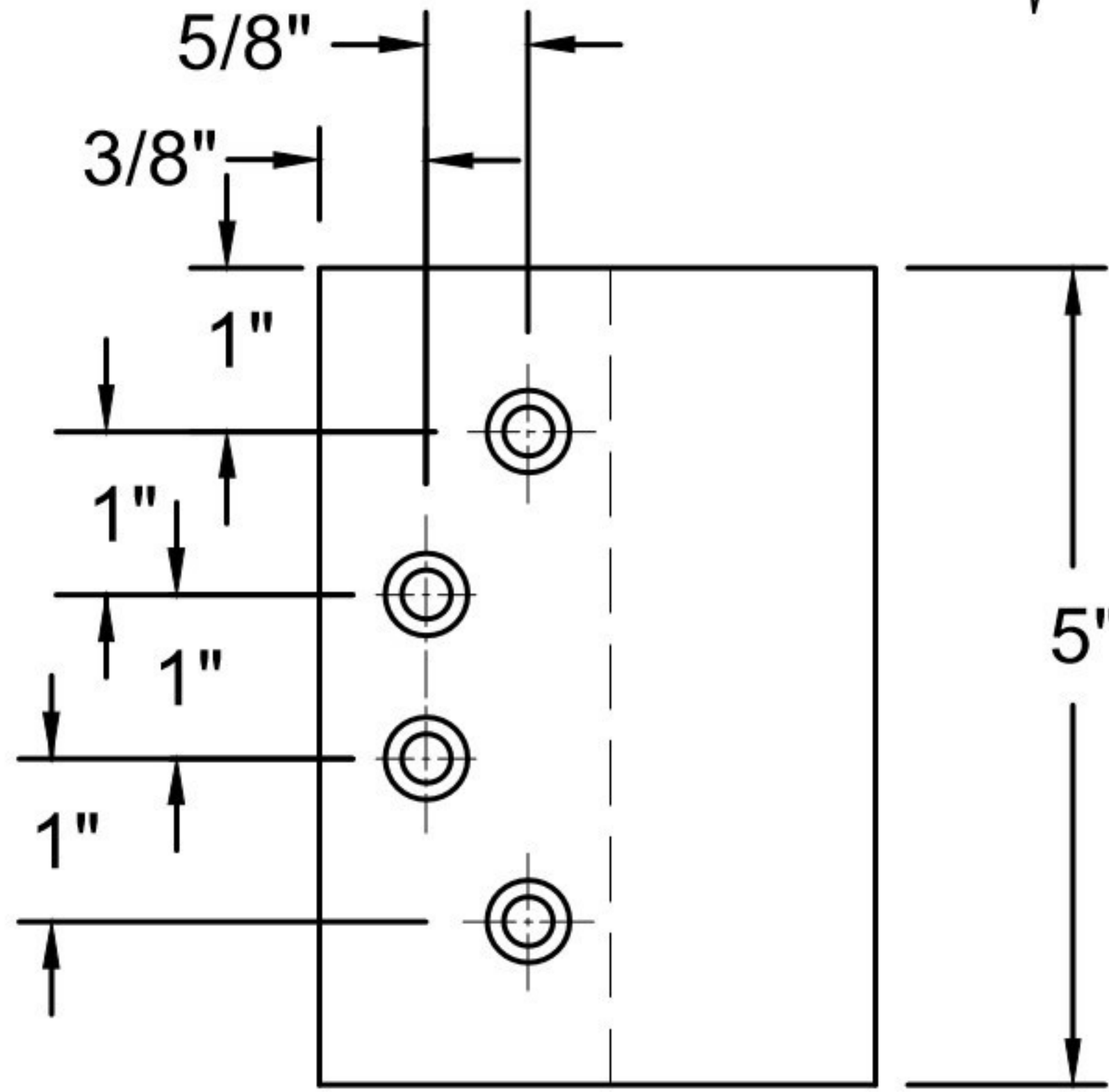
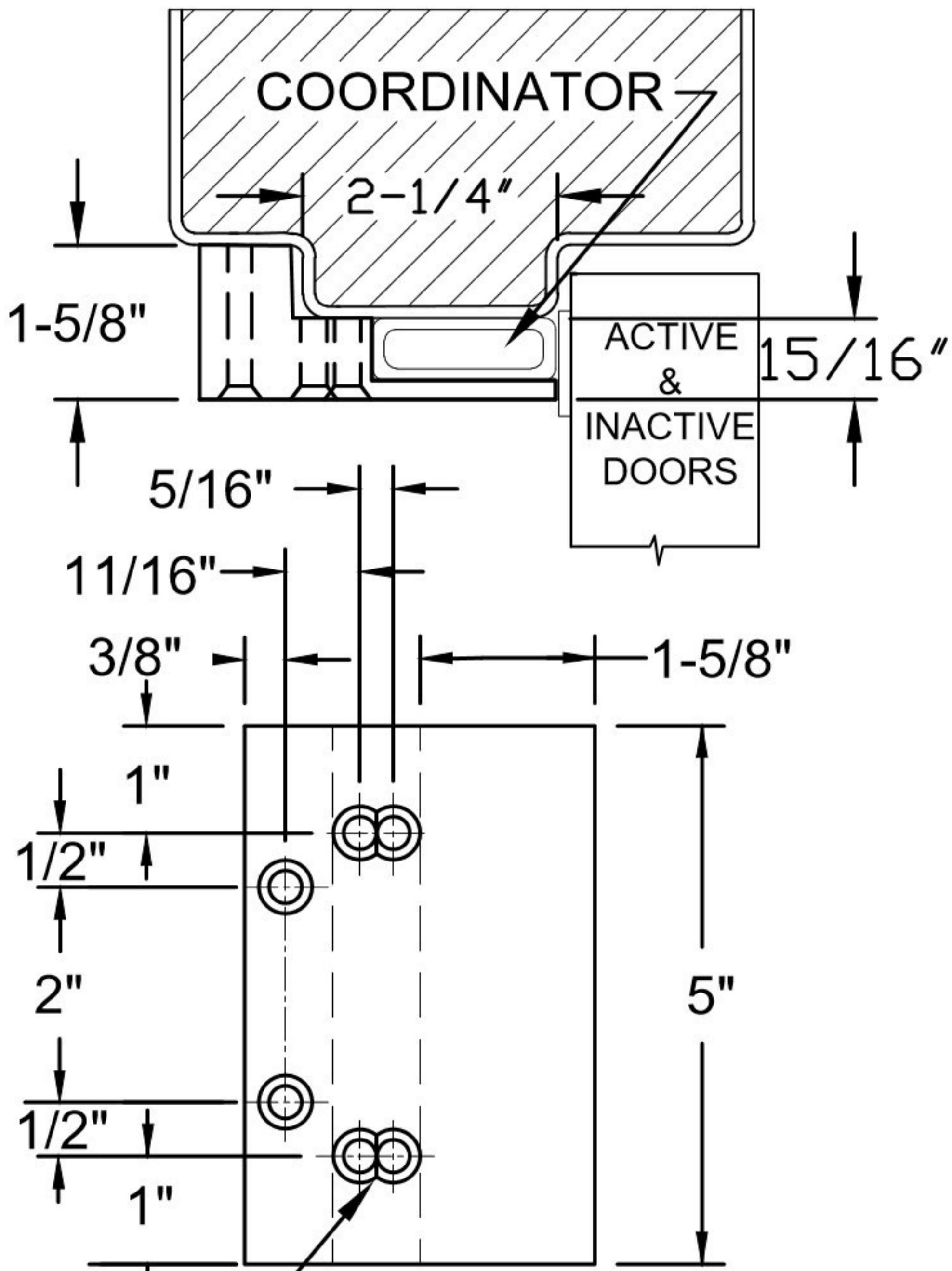
# 2000 SERIES COORDINATORS - 2060 CARRY BAR, MOUNTING BRACKETS



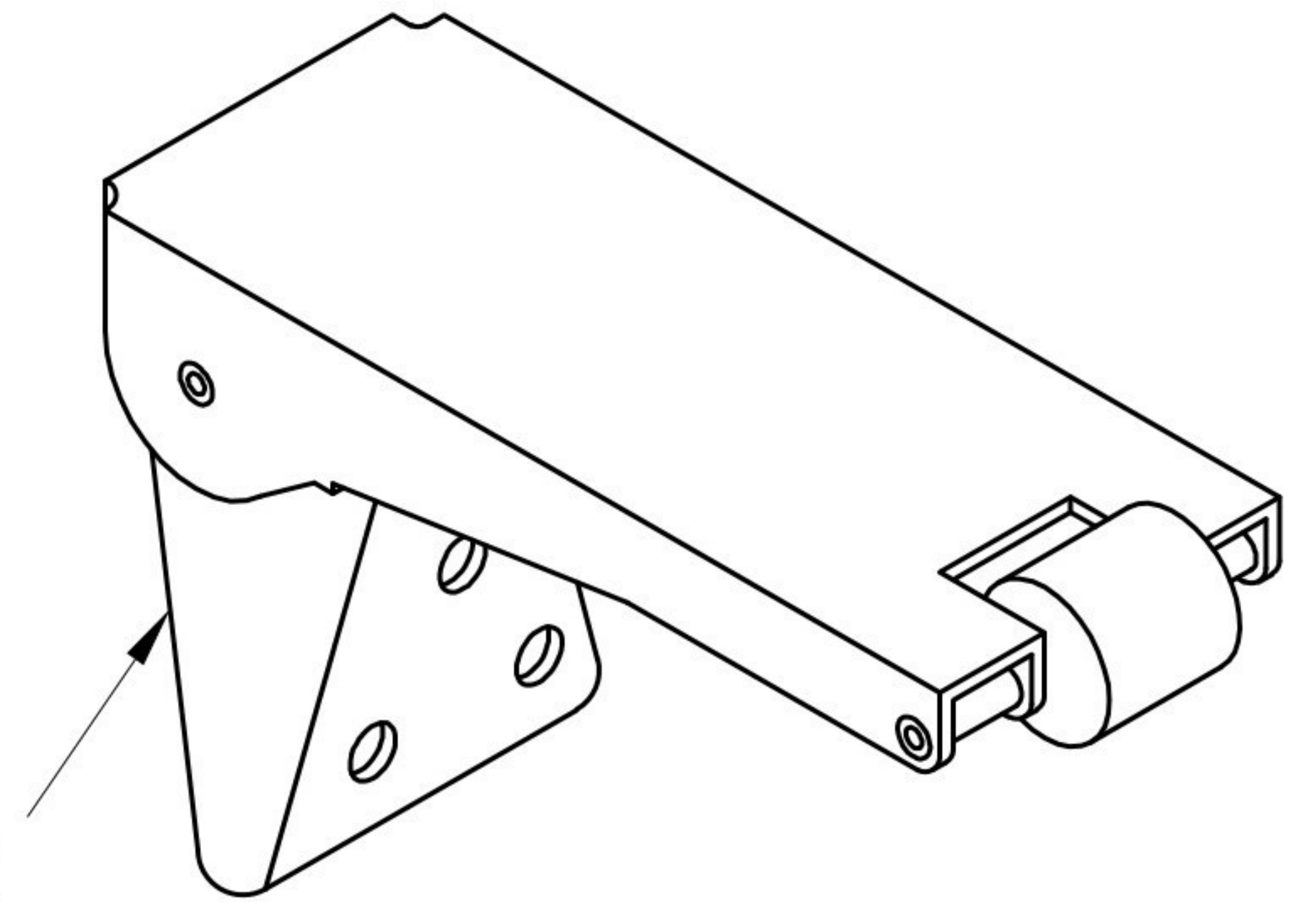
**2051**  
MOUNTING  
BRACKET



**2050**  
MOUNTING  
BRACKET



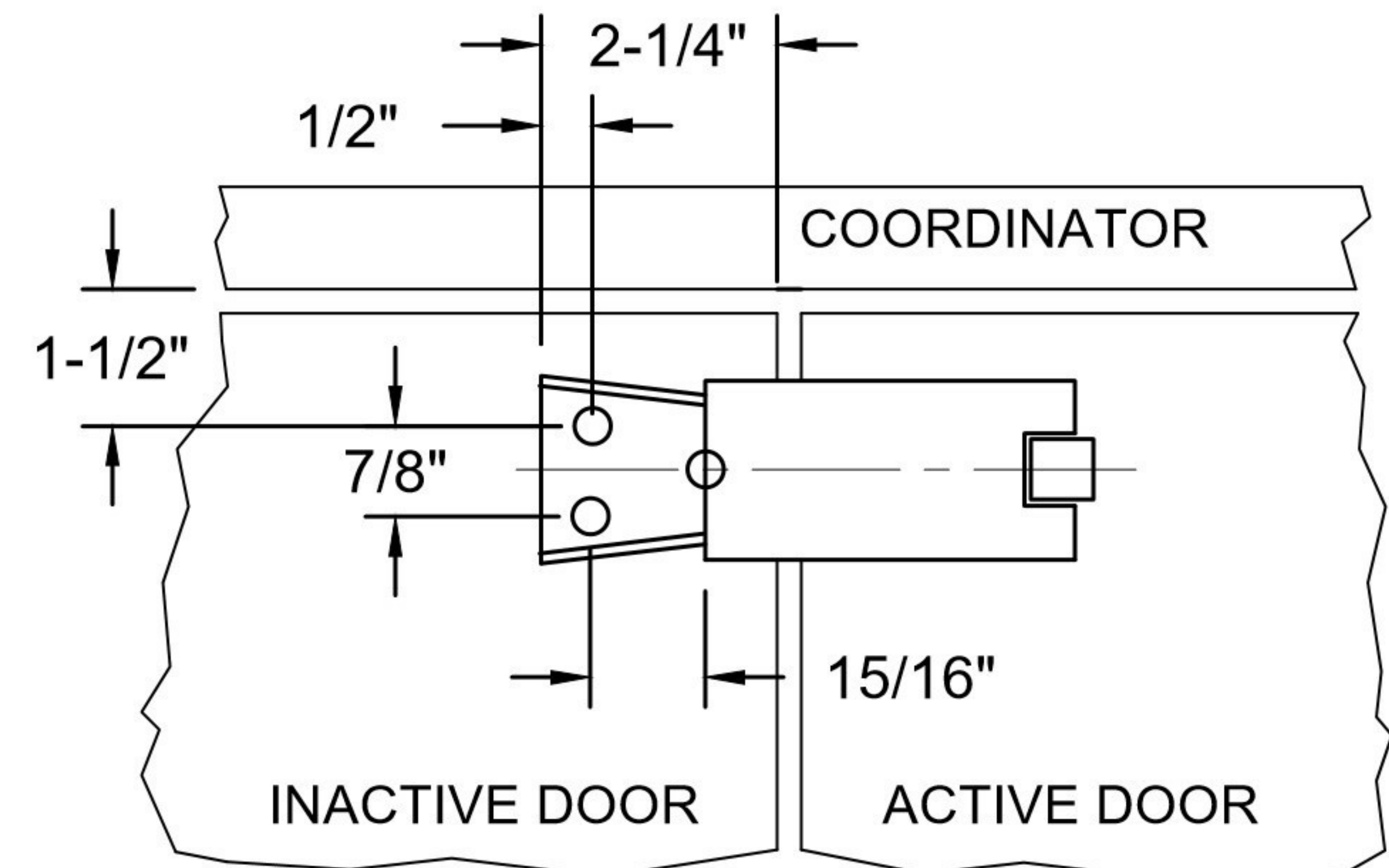
**2050** MOUNTING BRACKET  
FOR STOP WIDTH OVER 2-1/2"



**2060**  
CARRY BAR

MOUNTING HOLES TO BE USED IS DETERMINED BY STOP WIDTH

**2051** MOUNTING BRACKET  
FOR STOP WIDTH UP TO 2-1/2"



DRILL FOR (3) 3/8" DIA. HEX BOLTS

**2060** CARRY BAR  
INSTALLATION

## NOTE:

1. MOUNTING BRACKETS FOR STOP APPLIED HARDWARE.
2. TO MOUNT BRACKETS, DRILL & TAP FOR (4) 10-32 SCREWS.
3. BRACKETS MUST BE FIELD DRILLED AND TAPPED FOR STOP MOUNTED HARDWARE.
4. INSTALL DOOR APPLIED HARDWARE 15/16" LOWER TO CLEAR COORDINATOR AND BRACKET.
5. **2060** CARRY BAR IS MOUNTED ON INACTIVE DOOR. WHEN THE INACTIVE DOOR OPENS, THE CARRY BAR OPENS THE ACTIVE DOOR UNTIL IT ENGAGES THE COORDINATOR HOLD OPEN LEVER.
6. THE CARRY BAR IS NOT USED WHEN THE INACTIVE DOOR IS EQUIPPED WITH AUTOMATIC OR SELF-LATCHING FLUSH BOLTS.