

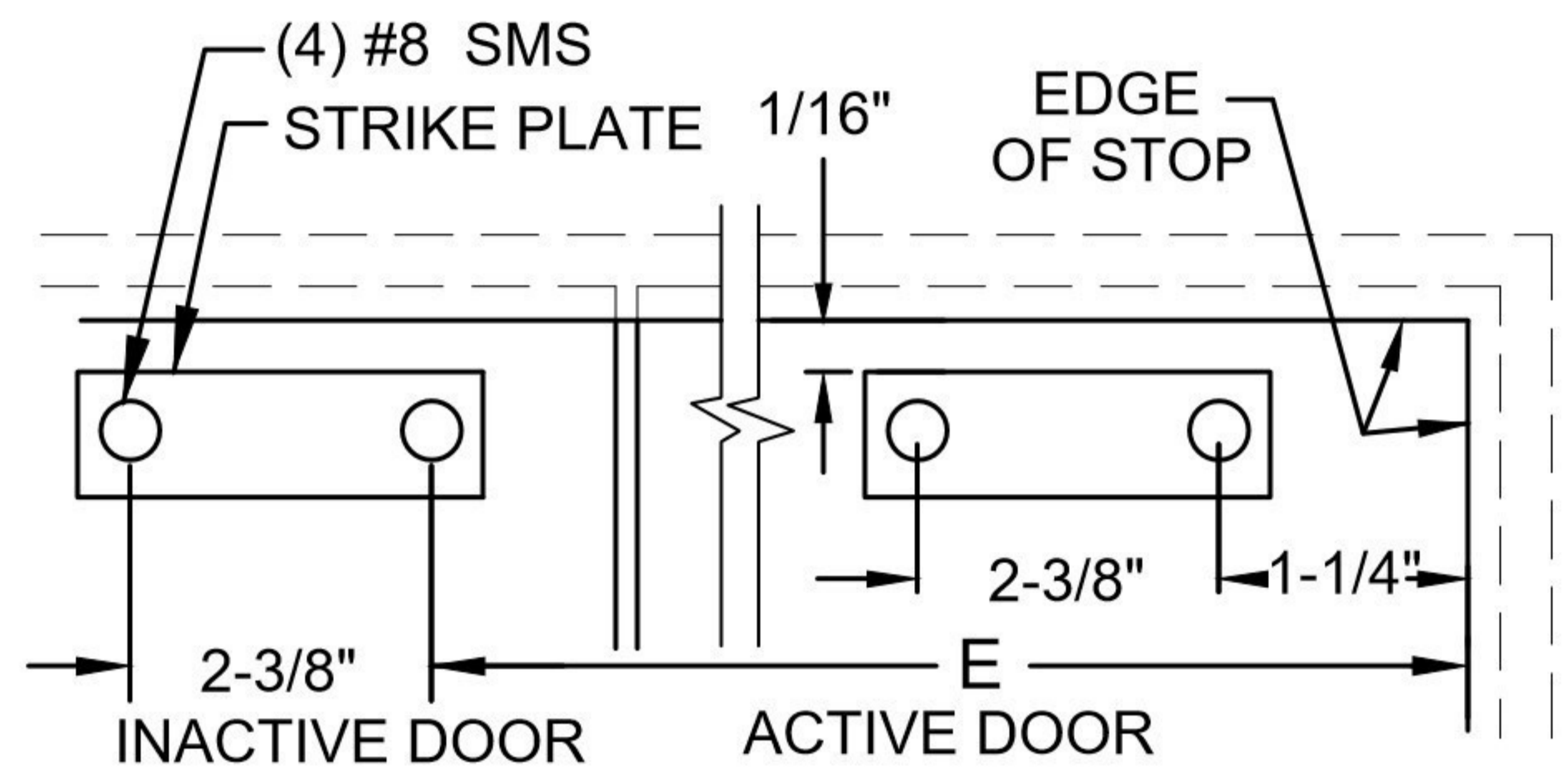
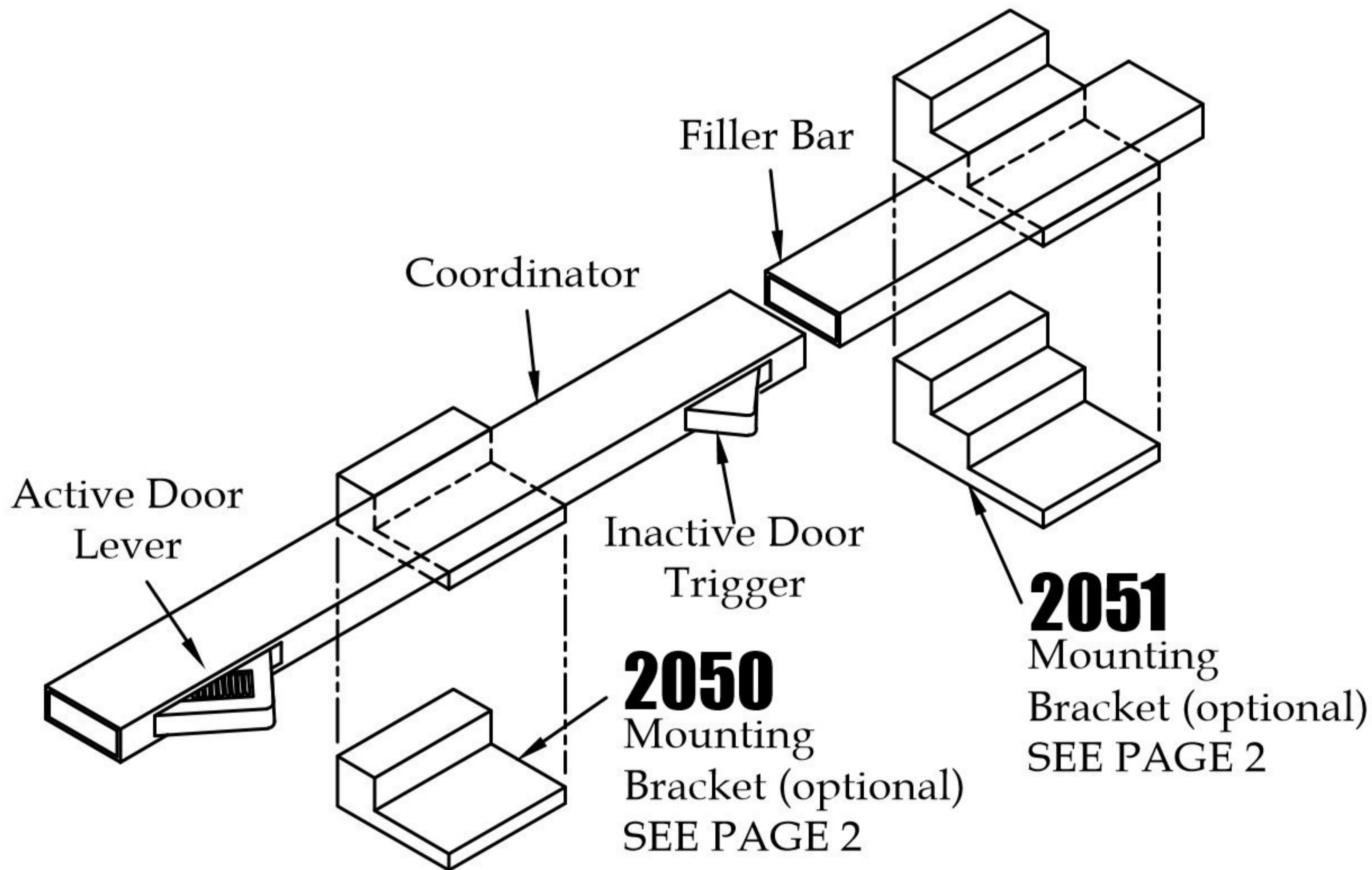
# 2000SERIES- FULL BAR COORDINATION W/ FILLER BAR

**NOTE:**

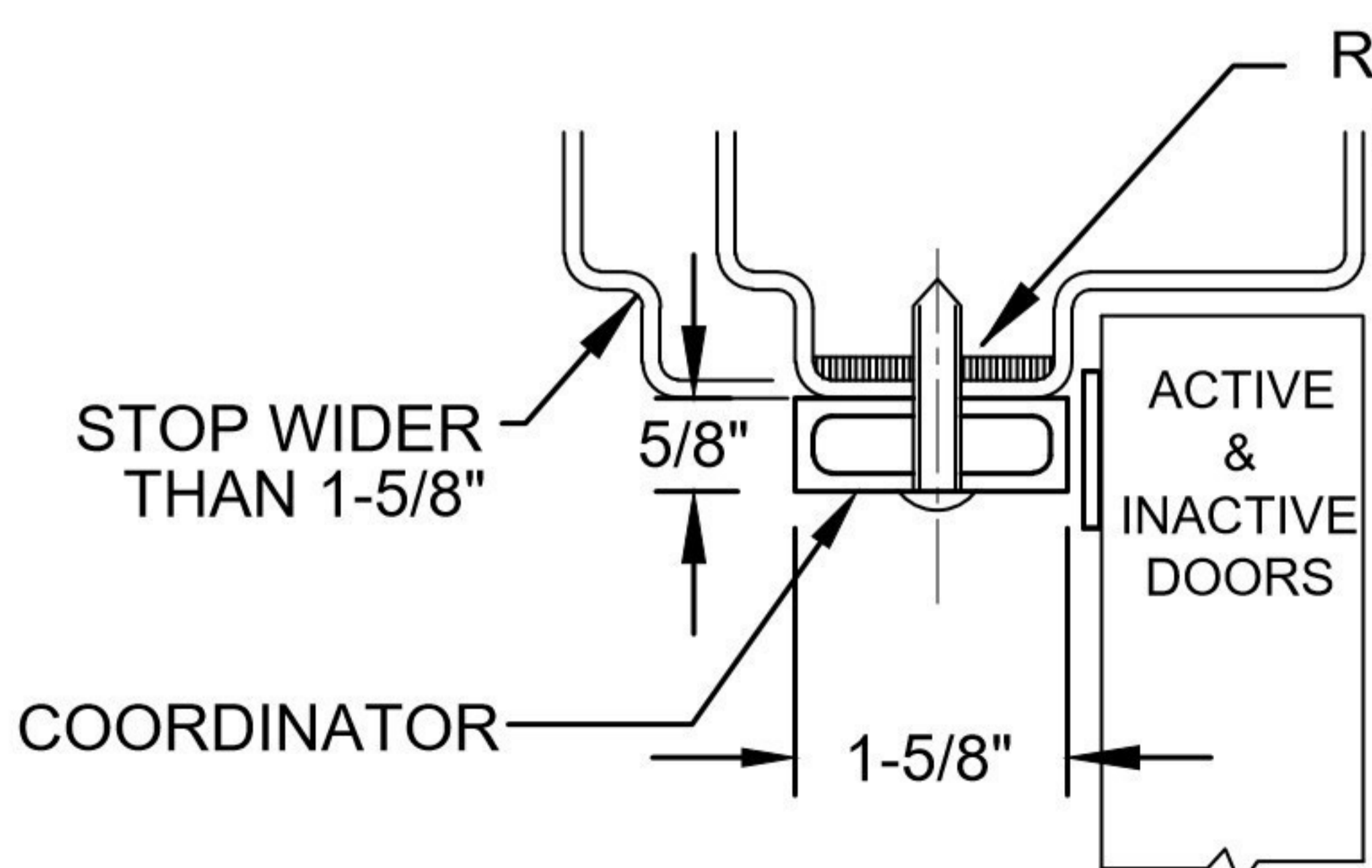
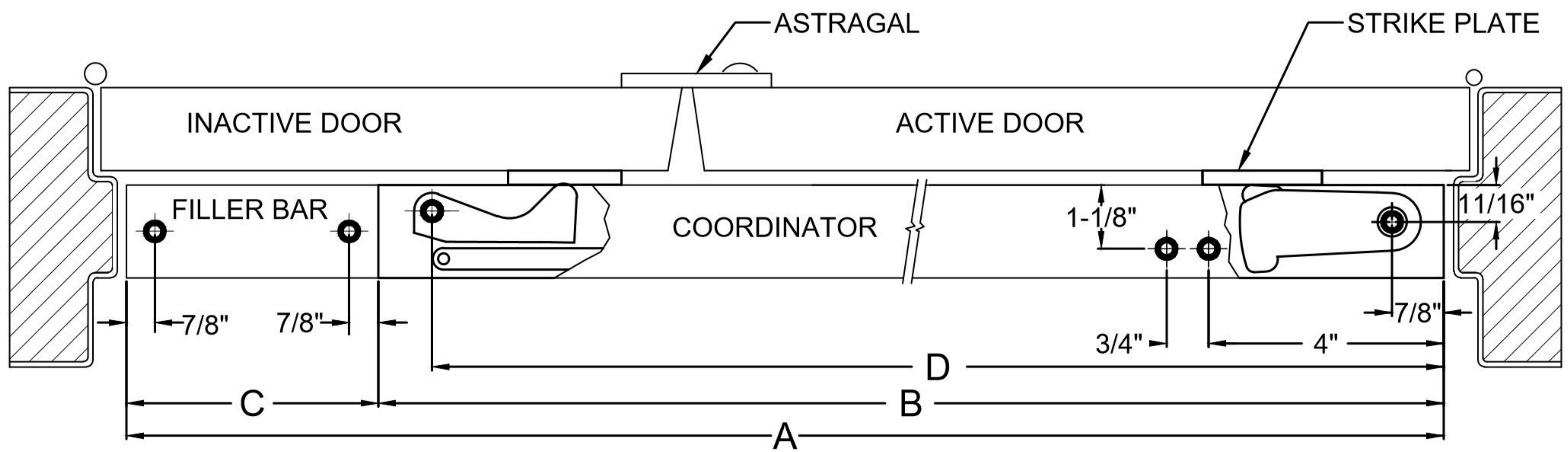
1. CLOSE DOOR AGAINST STOP. LOCATE ACTIVE & INACTIVE DOOR STRIKES AS SHOWN BELOW.
2. LOCATE COORDINATOR AS SHOWN BELOW. INSTALL COORDINATOR WITH (1)12-24 MS TO HOLD **2000** IN POSITION BEFORE DRILLING OTHER HOLES.
3. IF REQUIRED, INSTALL FILLER BAR IN GAP BETWEEN END OF COORDINATOR AND INACTIVE DOOR STOP.

PART #	DOOR FRAME OPENING	COORDINATOR SIZE	FILLER BAR SIZE	ANSI A156.3	MATERIAL
2011	52" or less	1 5/8" x 32"	1 5/8" x 25"	Type 21	Aluminum
2012	52 1/16" to 56"	1 5/8" x 32"	1 5/8" x 32"	Type 21	Aluminum
2021	56 1/16" to 72"	1 5/8" x 52"	1 5/8" x 20"	Type 21	Aluminum
2022	72 1/16" to 84"	1 5/8" x 52"	1 5/8" x 32"	Type 21	Aluminum
2023	84 1/16" to 96"	1 5/8" x 52"	1 5/8" x 44"	Type 21	Aluminum
2033	96 1/16" to 104"	1 5/8" x 60"	1 5/8" x 44"	Type 21	Aluminum
over 104"		Call Factory			

⊕ MOUNTING HOLE LOCATIONS



STRIKE PLATE LOCATION ON DOOR



SCREW DETAILS	
STRIKE PLATES	(4) #8 FLAT HD U/C SMS
COORDINATOR	(4) 12-24 TRUSS HD MS
FILLER BAR	(2) 12-24 TRUSS HD MS

