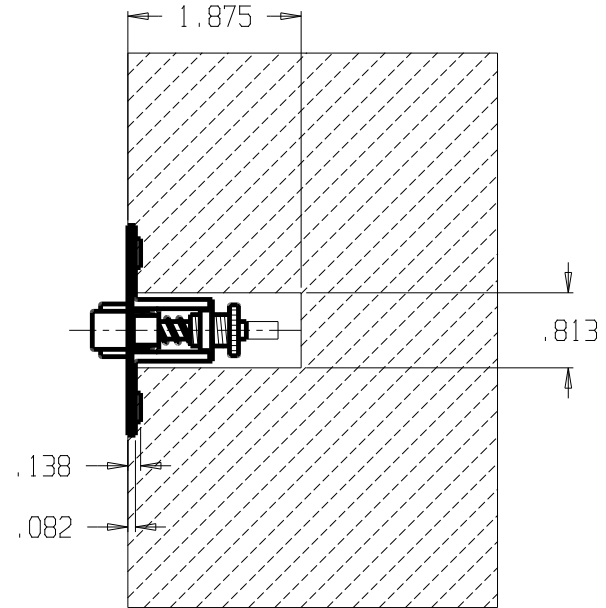
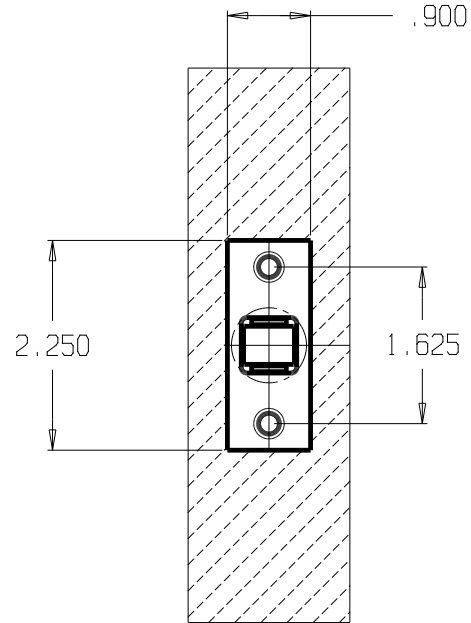


REVISIONS

| ZONE | REV | FINISHES : | GALIGE : |
|------|-----|------------|----------|
| | | | |



Drill 13/16" hole x 1 5/8" for roller latch and .900" x 2 1/4" for face plate

DON-JO MFG. INC.

DESIGNER D.R.

SIZE

DATE:

PART NO.

REV

A

#1710 INSTALLATION TEMPLATE

SCALE

RELEASE DATE

WEIGHT

SHEET