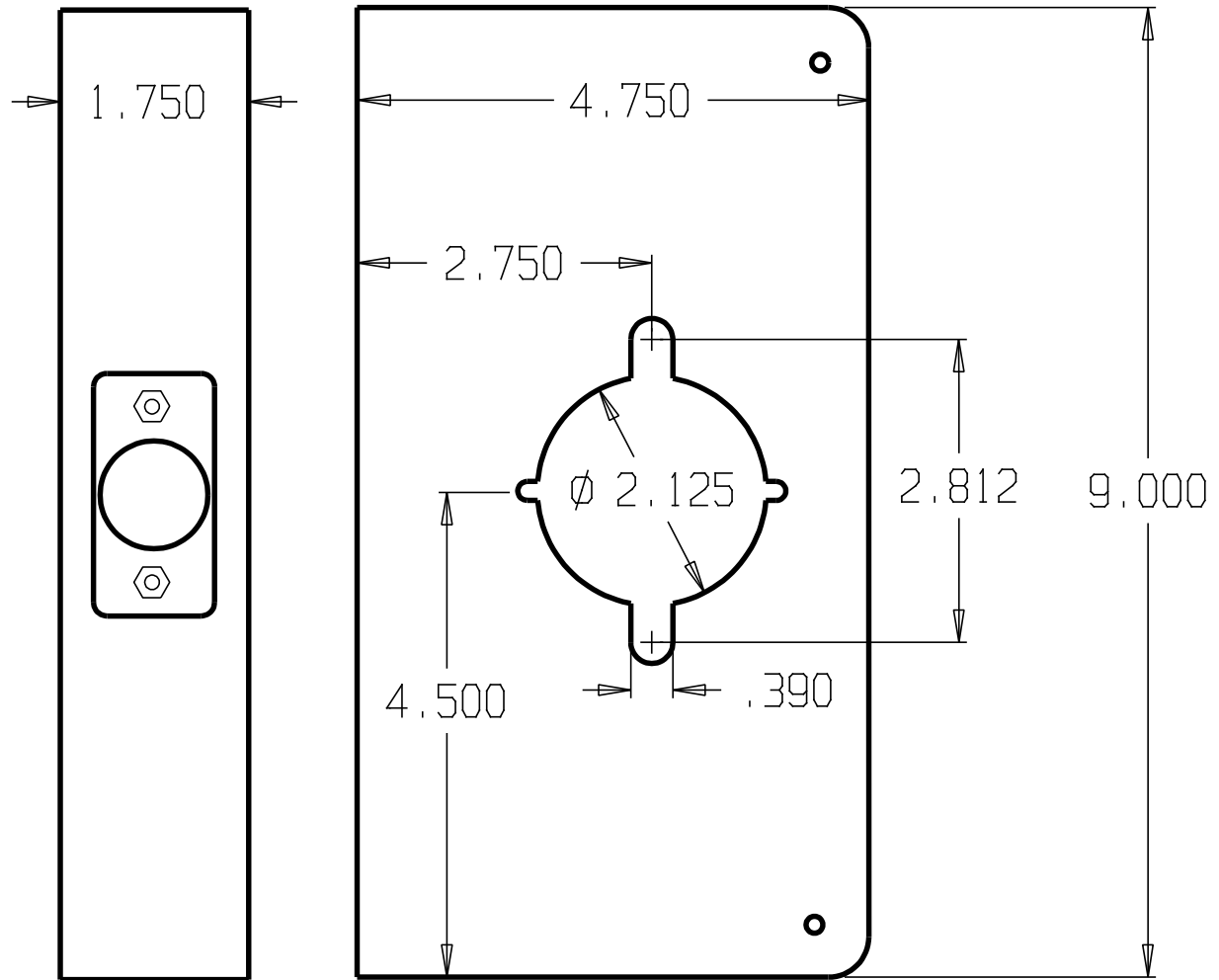


REVISIONS				
ZONE	REV	FINISHES:	DATE	APPROVED
		PB, AB, BZ & S		



DON-JO MFG. INC.				
DESIGNER	SIZE	DATE:	PART NO.	REV
	A	3/16/05	95-CW	
APPROVED	SCALE	RELEASE DATE	WEIGHT	SHEET