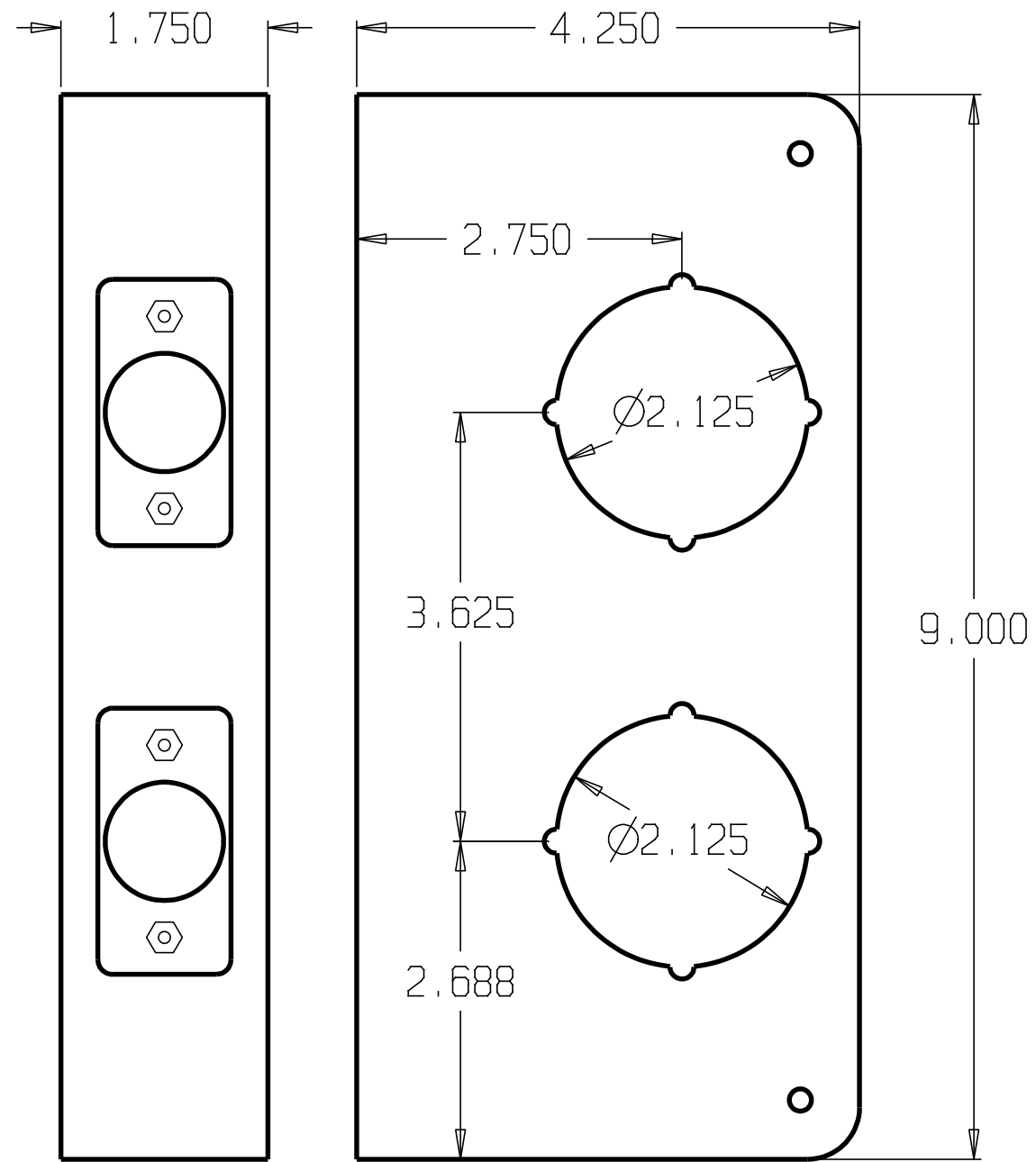


REVISIONS			
ZONE	REV	FINISHES:	DATE
		PB, AB, BZ, 10B & S	
		APPROVED	



DON-JO MFG. INC.

DESIGNER	SIZE: A	DATE: 4/28/04	PART NO. 481-CW	REV
APPROVED	SCALE	RELEASE DATE	WEIGHT	SHEET