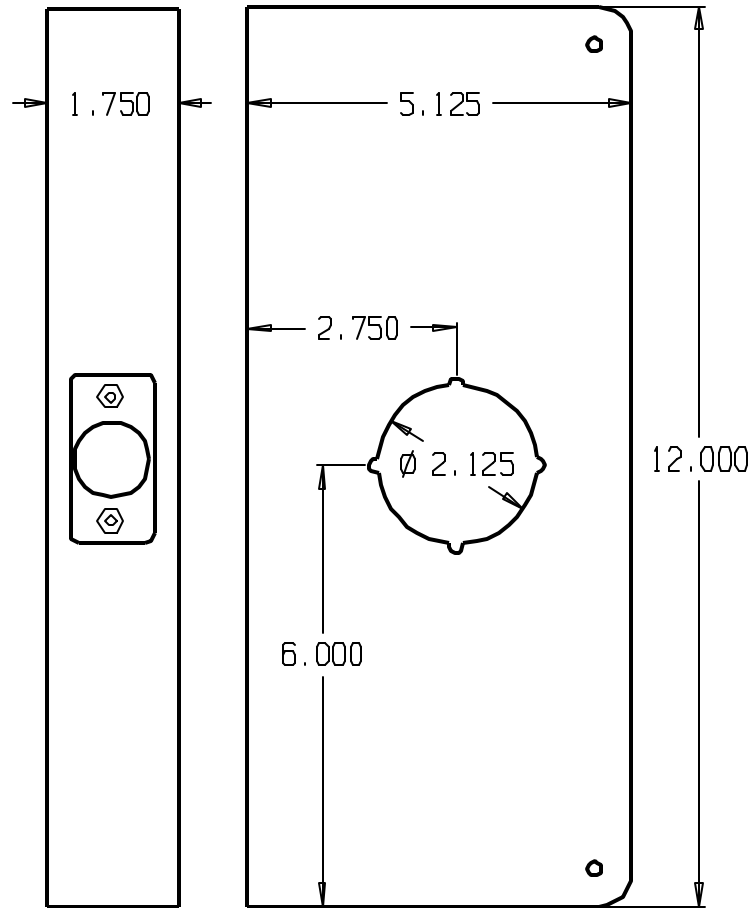


REVISIONS			
ZONE	REV	FINISHES:	DATE
		PB & S	
			APPROVED



DON-JO MFG. INC.

DESIGNER	SIZE: A	DATE: 2/10/04	PART NO.: 12-CW	REV
APPROVED	SCALE	RELEASE DATE	WEIGHT	SHEET