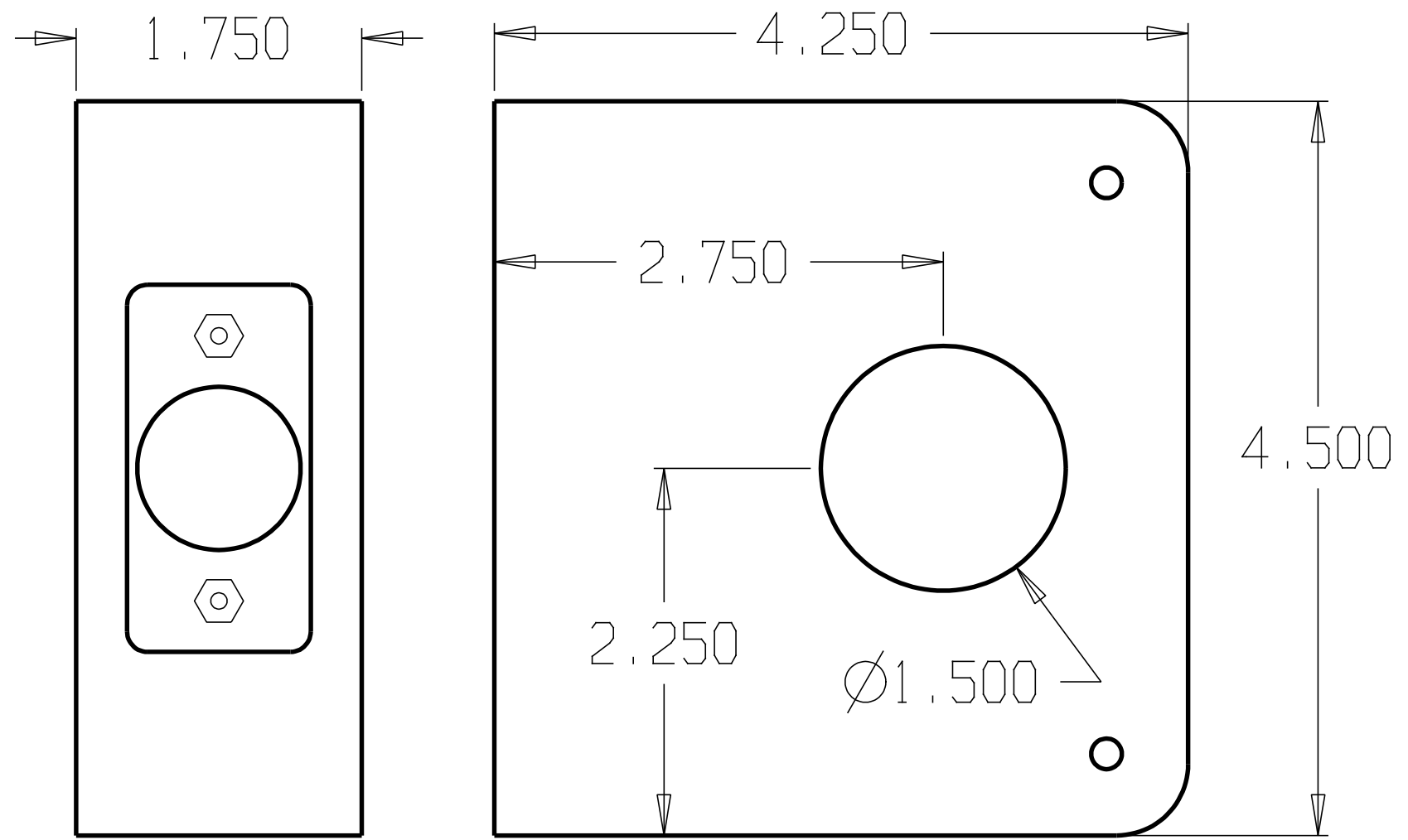


| REVISIONS | | | |
|-----------|-----|---------------------|----------|
| ZONE | REV | FINISHES: | DATE |
| | | PB, AB, BZ, 10B & S | |
| | | DATE | APPROVED |
| | | | |



DON-JO MFG. INC.

| | | | | |
|----------|-------|--------------|----------|-------|
| DESIGNER | SIZE | DATE: | PART NO. | REV |
| | A | 4/28/04 | 8-CW | |
| APPROVED | SCALE | RELEASE DATE | WEIGHT | SHEET |
| | | | | |