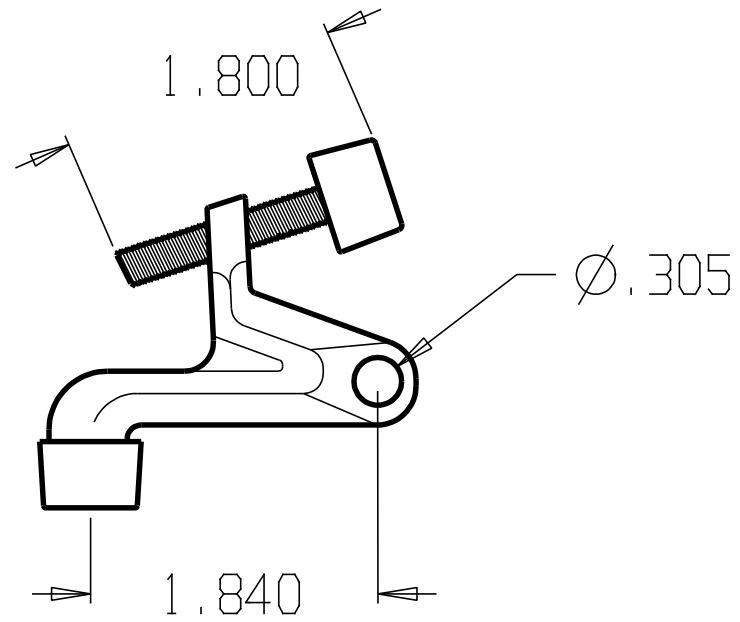


|        |    |     |
|--------|----|-----|
| DWG NO | SH | REV |
|--------|----|-----|

| REVISIONS |     |   |
|-----------|-----|---|
| ZONE      | REV | FINISHES: 605, 609, 613, 619, 620, 622, 626 |
|           |     | GAUGE:                                      |



|                  |      |       |              |          |       |
|------------------|------|-------|--------------|----------|-------|
| DON-JO MFG. INC. |      | SIZE  | DATE:        | PART NO. | REV   |
| DESIGNER         | D.R. | A     | 10/25/05     | #1505    |       |
|                  |      | SCALE | RELEASE DATE | WEIGHT   | SHEET |