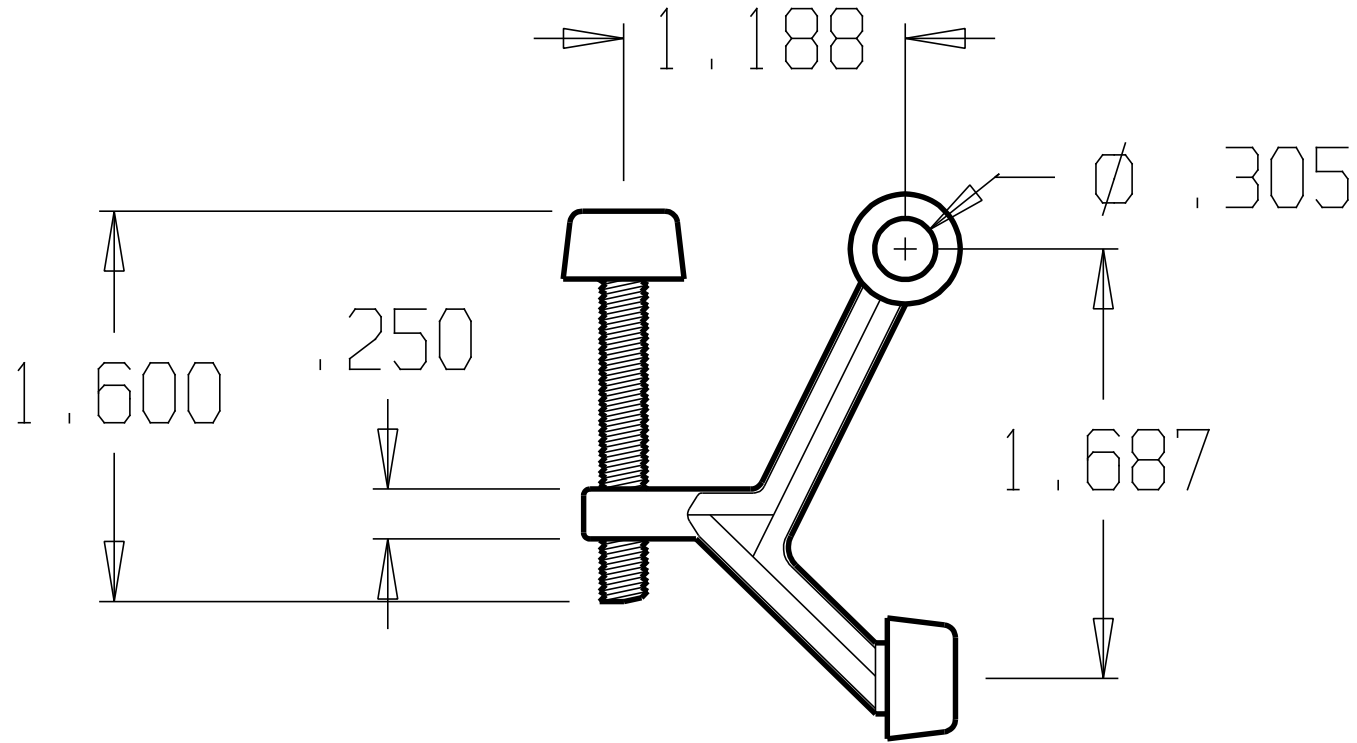


REVISIONS			
ZONE	REV	FINISHES:	DATE
		605,619,620,625	APPROVED



DON-JO MFG. INC.

DESIGNER	
APPROVED	

SIZE A	DATE: 3/23/04	PART NO. #1500	REV
SCALE	RELEASE DATE	WEIGHT	SHEET