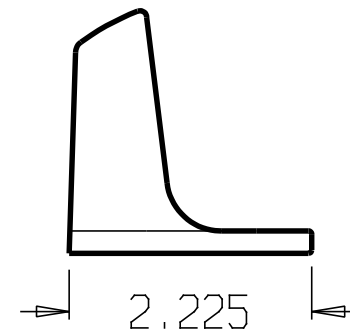
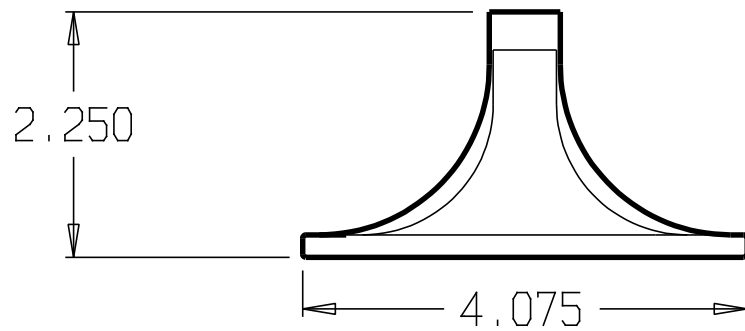
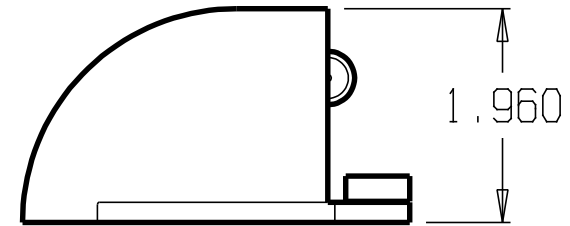
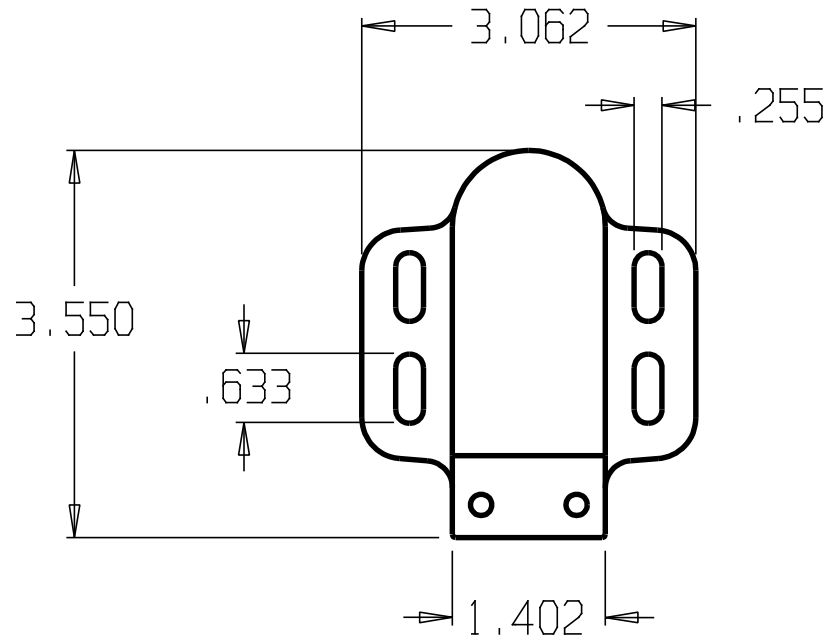


REVISIONS				
ZONE	REV	FINISHES:	DATE	APPROVED
		626		



DON-JO MFG. INC.

DESIGNER	SIZE	DATE:	PART NO.	REV
	A	3/24/04	#1522	
APPROVED	SCALE	RELEASE DATE	WEIGHT	SHEET