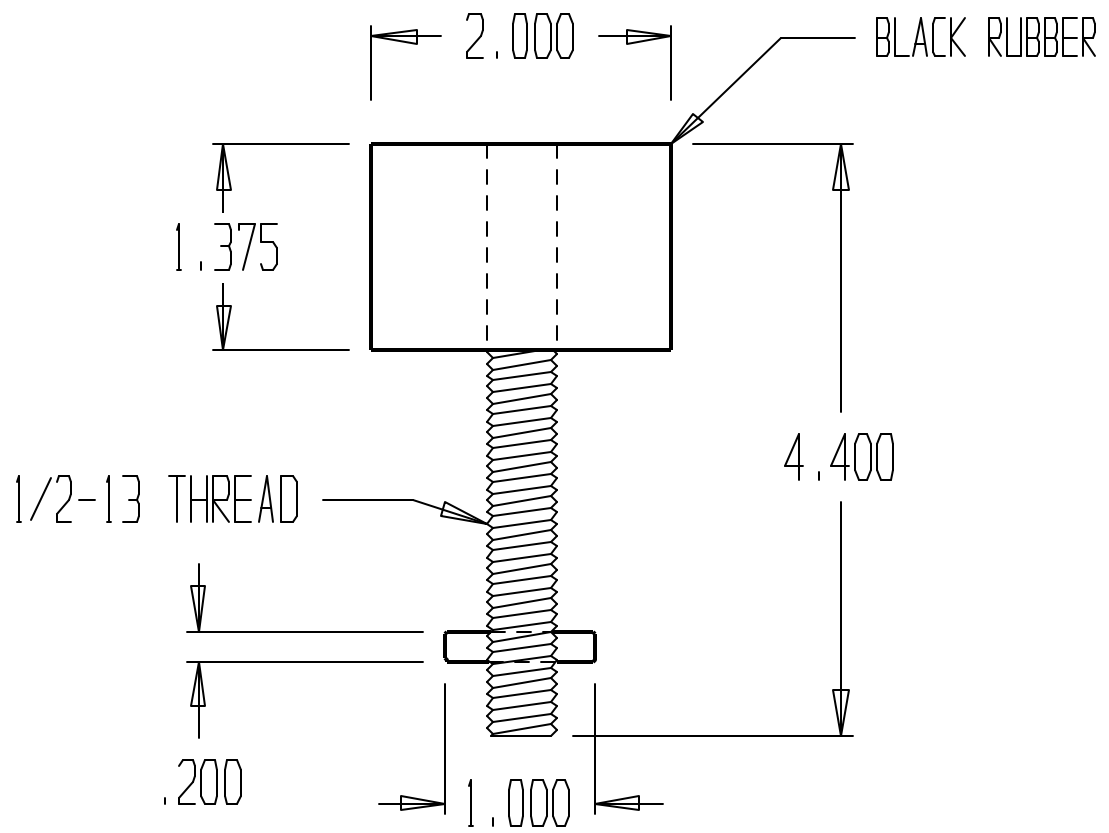


| REVISIONS |     |            |          |
|-----------|-----|------------|----------|
| ZONE      | REV | FINISHES : | DATE     |
|           |     | BLACK      |          |
|           |     |            | APPROVED |



DON-JO MFG. INC.

|          |           |                  |                   |       |
|----------|-----------|------------------|-------------------|-------|
| DESIGNER | SIZE<br>A | DATE:<br>3/16/04 | PART NO.<br>#1462 | REV   |
| APPROVED | SCALE     | RELEASE DATE     | WEIGHT            | SHEET |