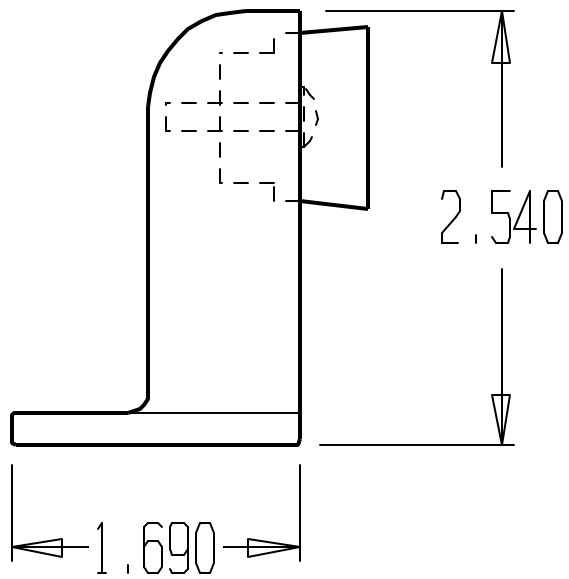
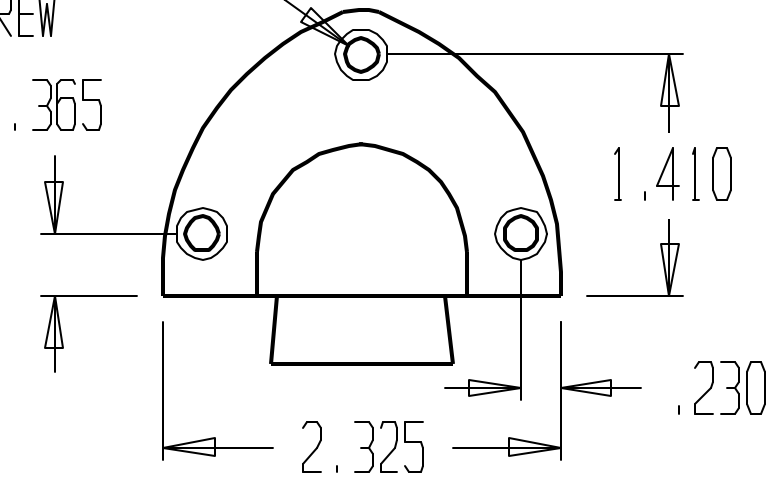


REVISIONS			
ZONE	REV	FINISHES:	DATE
		605, 613, 626	
			APPROVED



Ø .195
C'SINK FOR
#8 SCREW



DON-JO MFG. INC.

DESIGNER	SIZE	DATE:	PART NO.	REV
	A	3/11/04	#1449	
APPROVED	SCALE	RELEASE DATE	WEIGHT	SHEET