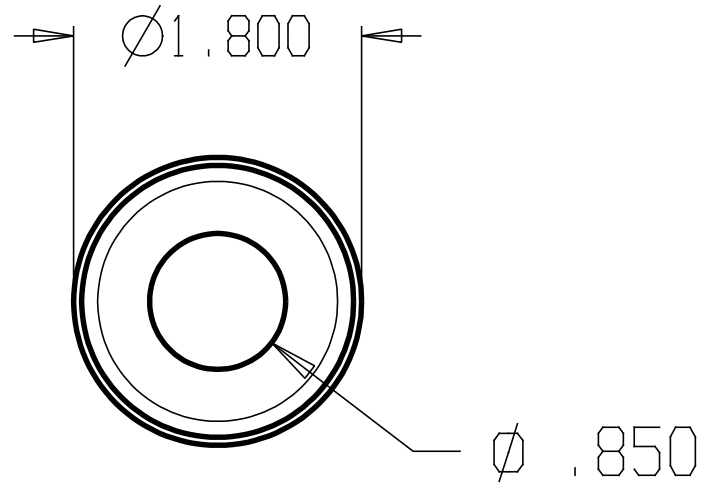
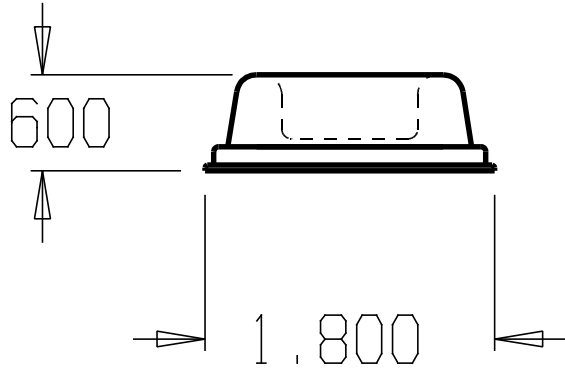


REVISIONS				
ZONE	REV	FINISHES:	DATE	APPROVED
		GRAY & WHITE RUBBER		



DON-JO MFG. INC.

DESIGNER	SIZE	DATE:	PART NO.	REV
	A	2/10/04	#1401	
APPROVED	SCALE	RELEASE DATE	WEIGHT	SHEET