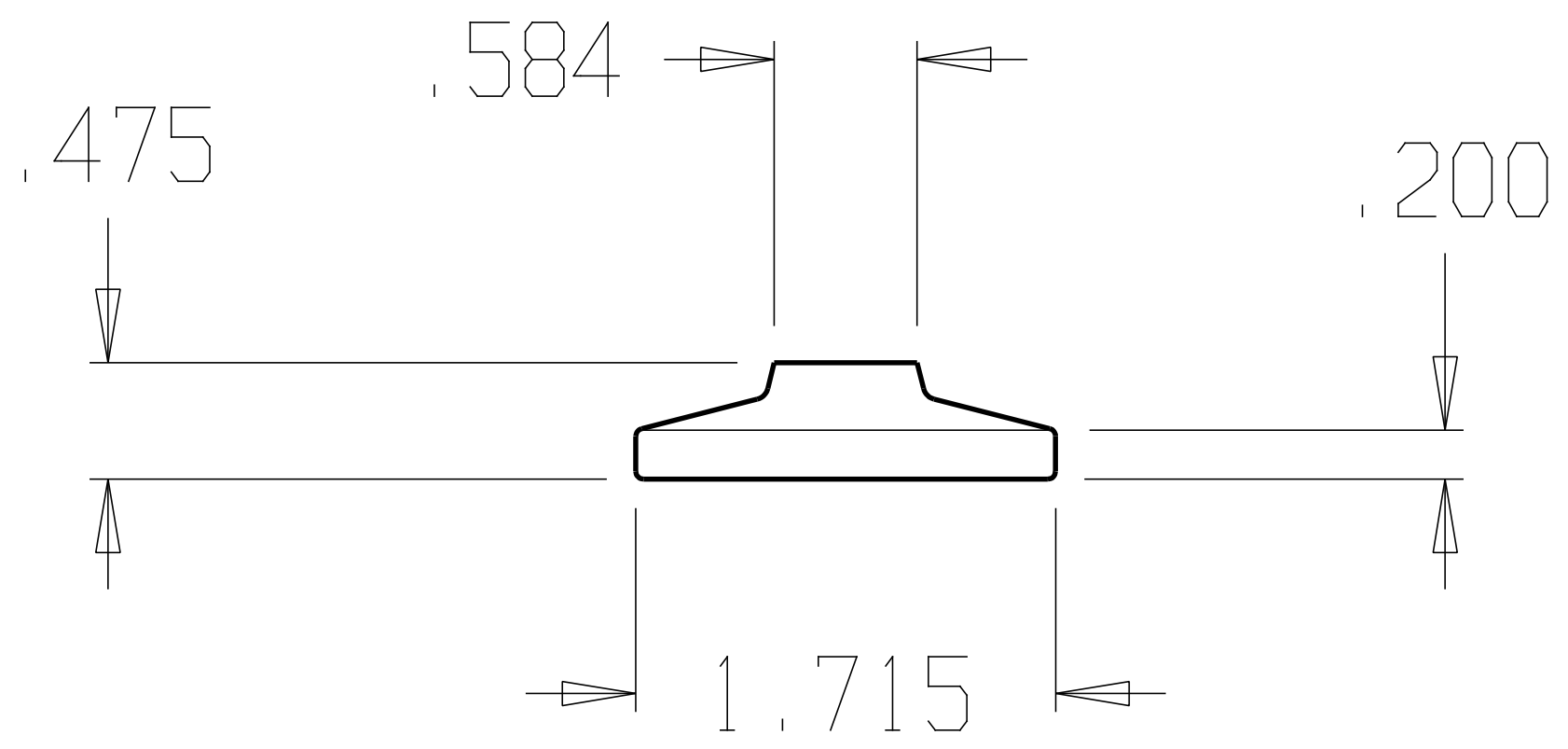


| REVISIONS | | | |
|-----------|-----|--------------------|------|
| ZONE | REV | FINISHES: | DATE |
| | | 605, 620, 625, 626 | |
| | | APPROVED | |



DON-JO MFG. INC.

| | | | | |
|----------|-----------|--------------|-----------------|-------|
| DESIGNER | SIZE A | DATE: | PART NO. #59 | REV |
| APPROVED | SCALE | RELEASE DATE | WEIGHT | SHEET |