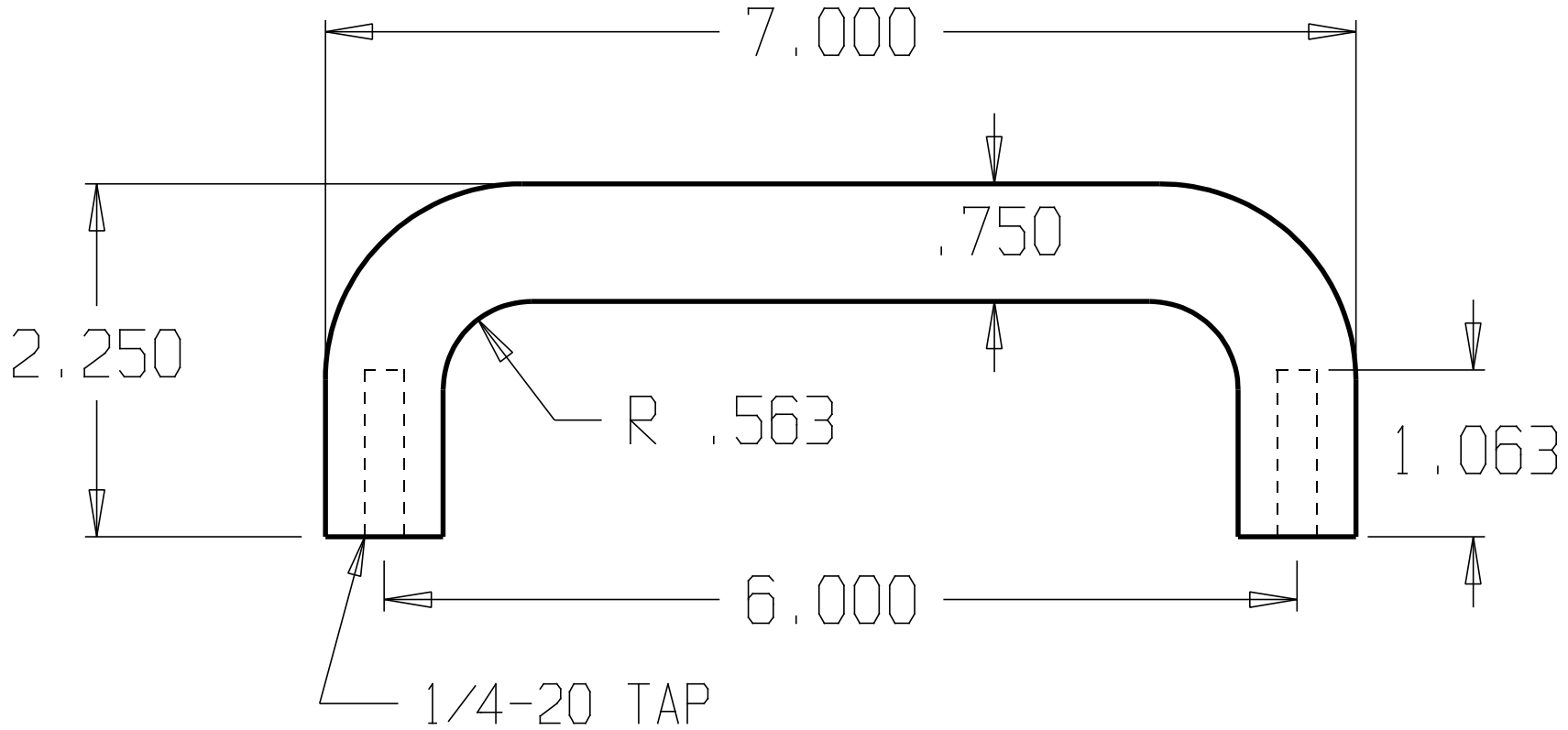


| REVISIONS |     |                             |      |          |
|-----------|-----|-----------------------------|------|----------|
| ZONE      | REV | FINISHES:                   | DATE | APPROVED |
|           |     | 605,626,612,613,628,629,630 |      |          |



|                  |       |              |          |       |
|------------------|-------|--------------|----------|-------|
| DON-JO MFG. INC. |       |              |          |       |
| DESIGNER         | SIZE  | DATE:        | PART NO. | REV   |
|                  | A     | 3/23/04      | #15      |       |
| APPROVED         | SCALE | RELEASE DATE | WEIGHT   | SHEET |