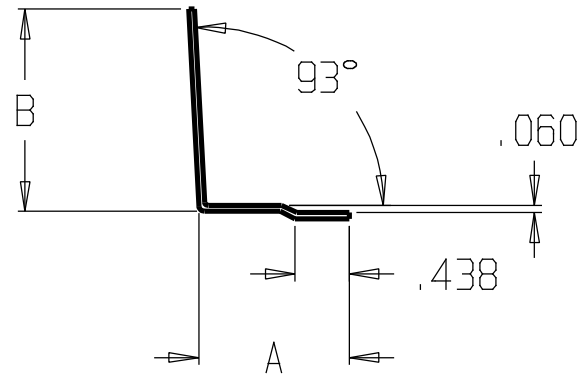


REVISIONS		
ZONE	REV	FINISHES:
		Brass, Bronze, Plain Steel, Stainless Steel
		GAUGE: 18ga .050



DON-JO MFG. INC.

DESIGNER	SIZE A	DATE: 2/22/11	PART NO. #1313	REV
APPROVED	SCALE	RELEASE DATE	WEIGHT	SHEET